

## CUSTOMER INFORMATION

COMPANY NAME
CLIENT NAME
DATE
ORDER NUMBER

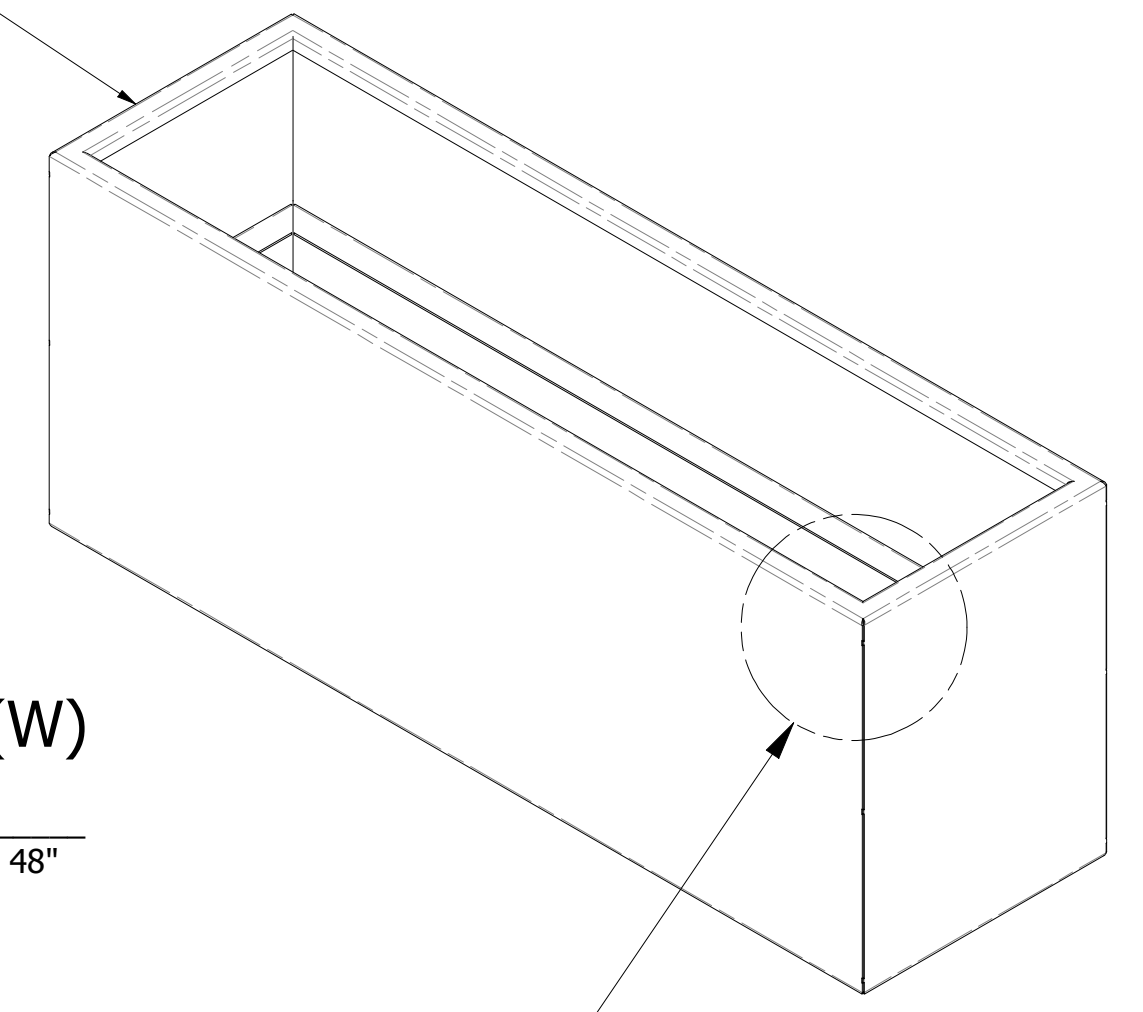
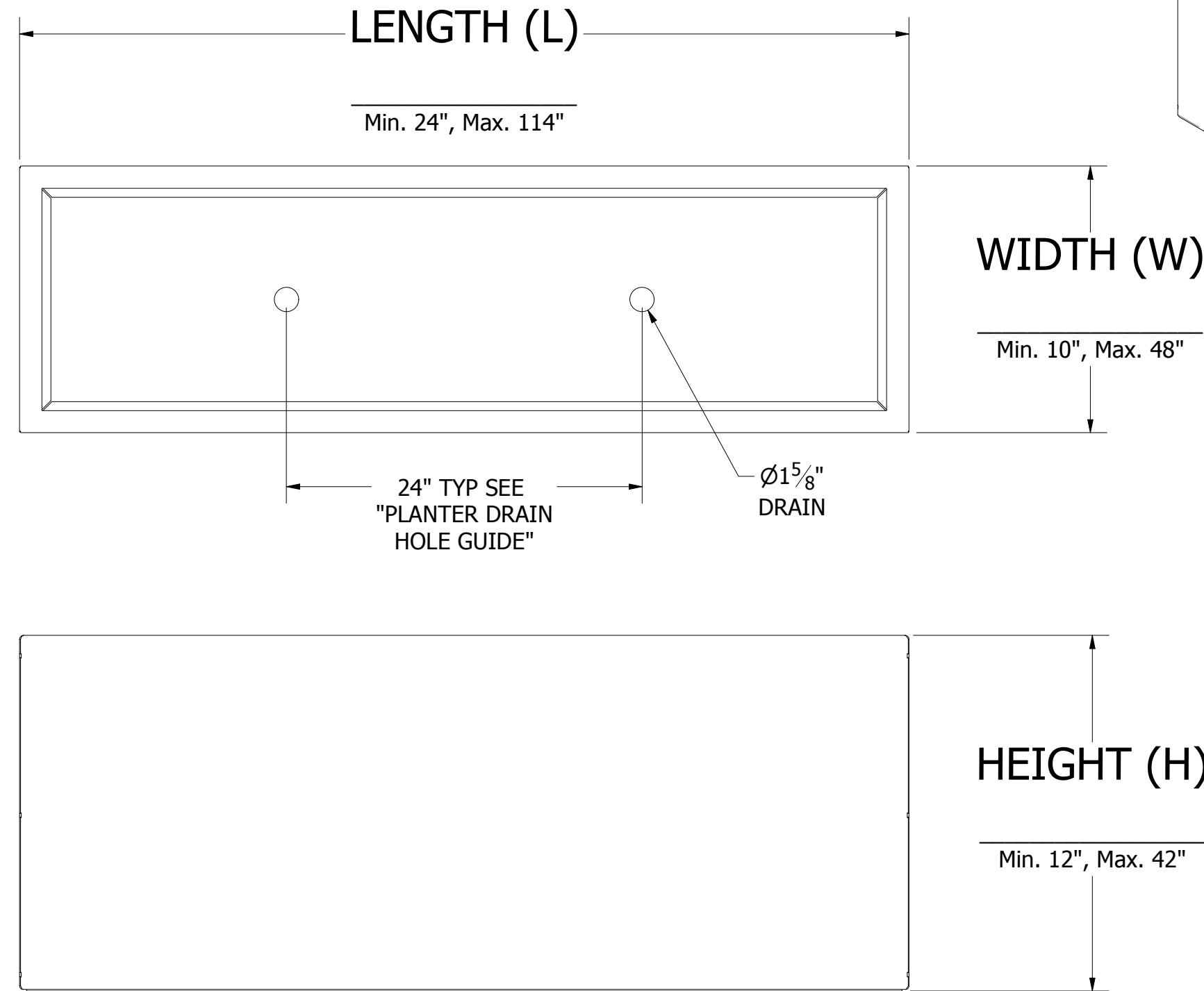
## PLANTER INFORMATION

QUANTITY
MATERIAL
BASE
POWDERCOAT COLOR (CS ONLY)

PLANTER IS DESIGNED FOR NO MORE THAN 85LBS PER CUBIC FOOT SATURATED SOIL DENSITY. GREATER LOADS MUST BE REDUCED AND ALTERNATIVES FOR FILL MUST BE INSTALLED. LIGHTWEIGHT ALTERNATIVE FILL EXAMPLES ARE:  
 1) #1-#2 EPS FOAM  
 2) VERSICELL DRAINAGE (EVC-30)  
 CONSULT WITH FACTORY FOR GREATER SOIL DENSITIES

**APPROVAL:**

Signature authorizes Tournesol Siteworks to manufacture the product as shown



## MATERIAL OPTIONS

**"CS"** - POWDERCOATED CARBON STEEL NOTES

PART NUMBER: **WWR-CS(L)(W)(H)**

- POLYESTER POWDERCOAT WITH ZINC-RICH PRIMER
- ALL DIMENSIONS ARE NOMINAL, ACTUAL SIZE MAY VARY +/- 1/8" UNLESS SPECIFIED OTHERWISE

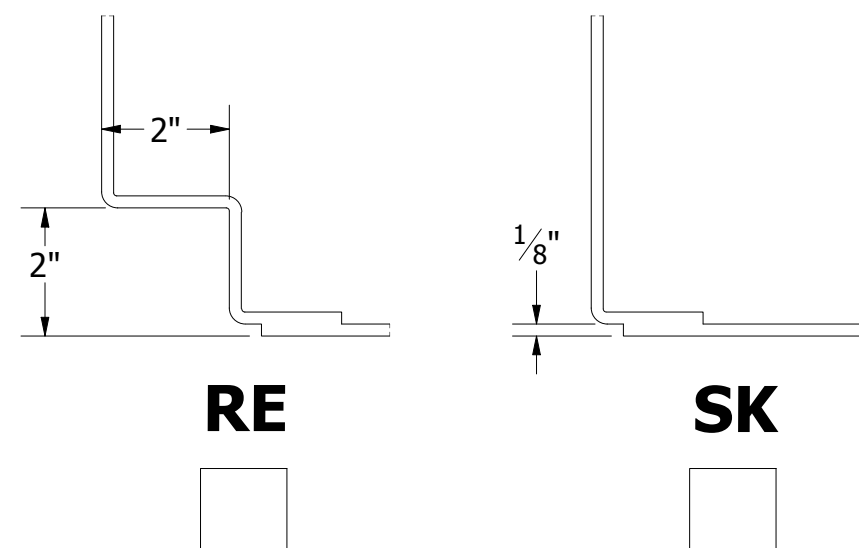
**"WS"** - WEATHERING STEEL NOTES

PART NUMBER: **WWR-WS(L)(W)(H)**

- PRODUCT IS PROVIDED WITH NON-RUSTED MILL FINISH, RUST MAY TAKE YEARS TO DEVELOP
- EXACT FINISH AND RATE OF RUST PATINA FORMATION VARIES GREATLY BASED ON ENVIRONMENTAL CONDITIONS AT INSTALLATION LOCATION.
- SOME ENVIRONMENTAL CONDITIONS WILL ATTACK THE WEATHERING STEEL CAUSING EARLY RUST THROUGH (E.G. SALT AND/OR SUB-TROPICAL CLIMATE).
- RUST STAINING WILL LIKELY OCCUR ON ANY SURFACE PLANTER IS MOUNTED ON, AS WELL AS ANY PATH THAT RAIN RUNOFF FOLLOWS, AND ANY GUTTER/DRAIN SYSTEM NEAR PLANTER.
- ALL DIMENSIONS ARE NOMINAL, ACTUAL SIZE MAY VARY +/- 1/8" UNLESS SPECIFIED OTHERWISE

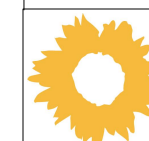
## BASE OPTIONS

SELECT AN OPTION. THIS IS IN ADDITION TO THE PLANTER ITSELF.



**CS-** FORMED AND FULLY WELDED 12GA A36 (MILD STEEL)  
 12GA A304 (STAINLESS STEEL) FLOOR FASTENED WATER TIGHT TO BODY.  
 WALL REINFORCEMENT SYSTEM AROUND INSIDE PERIMETER.

**WS-** FORMED AND FULLY WELDED 12GA A606 (WEATHERING STEEL) BODY  
 12GA A606 (WEATHERING STEEL) FLOOR FASTENED WATER TIGHT TO BODY.  
 WALL REINFORCEMENT SYSTEM AROUND INSIDE PERIMETER.



**Tournesol Siteworks**  
 2930 Faber Street,  
 Union City, CA 94587

TITLE

**C1 APPLICATION SHEET  
 WILSHIRE STEEL PLANTER**

DRAWN: DM 1/15/2020

SIZE DWG NO

**C** WWR-APPLICATION SHEET

REV  
 A

ALL DIMENSIONS IN INCHES SCALE: 1:9

MATERIAL: Generic

SHEET 1 OF 1