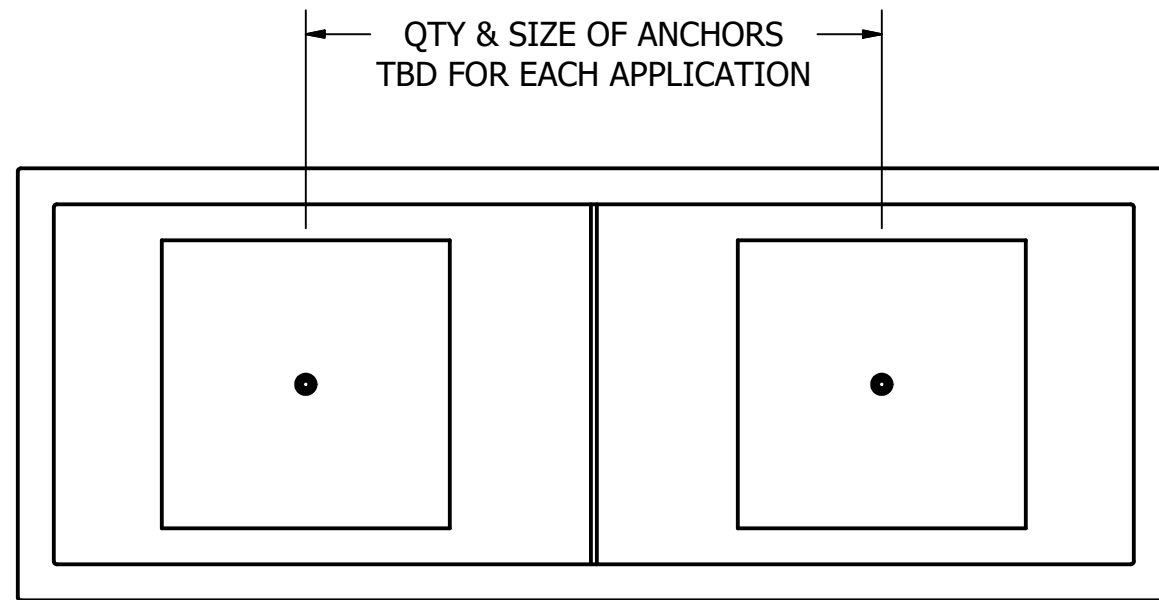
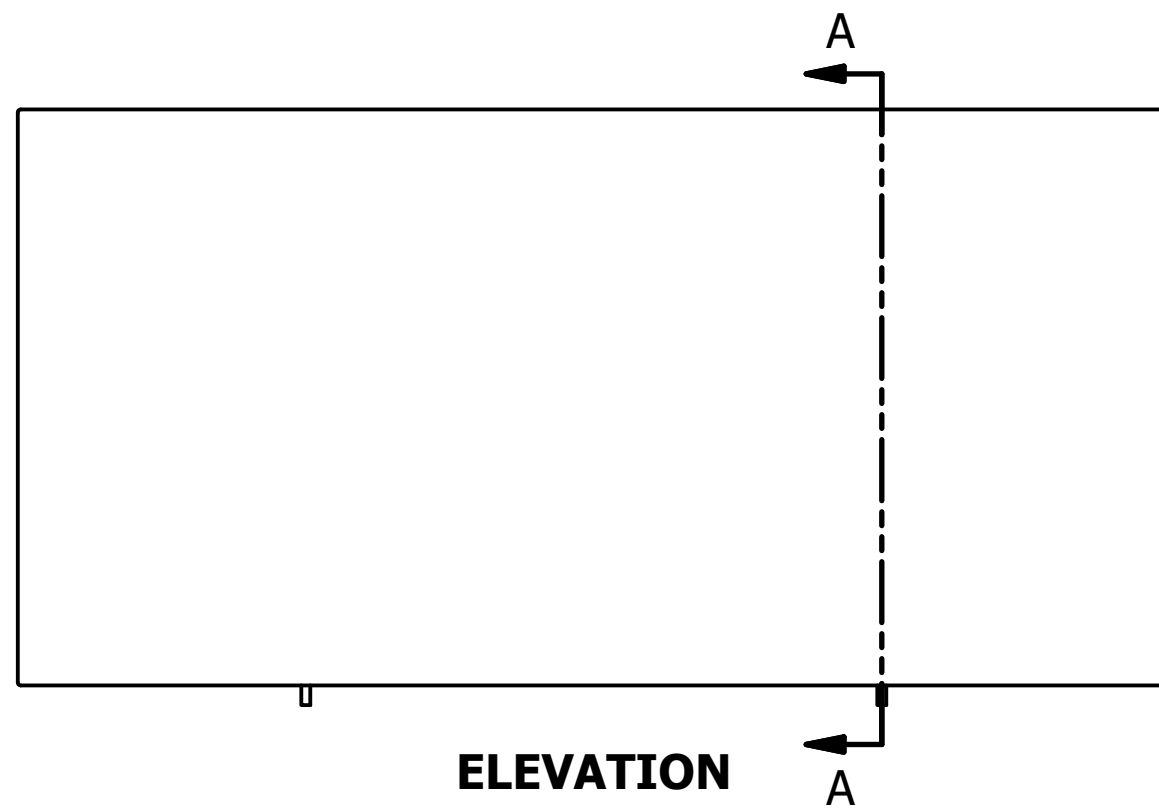


APPROVAL:

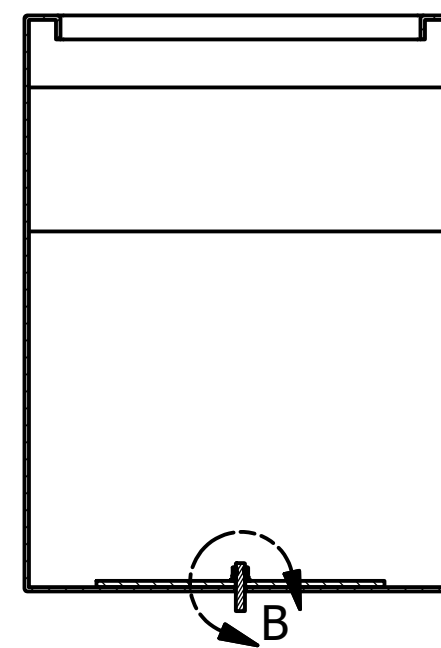
Signature authorizes Tournesol Siteworks
to manufacture the product as shown



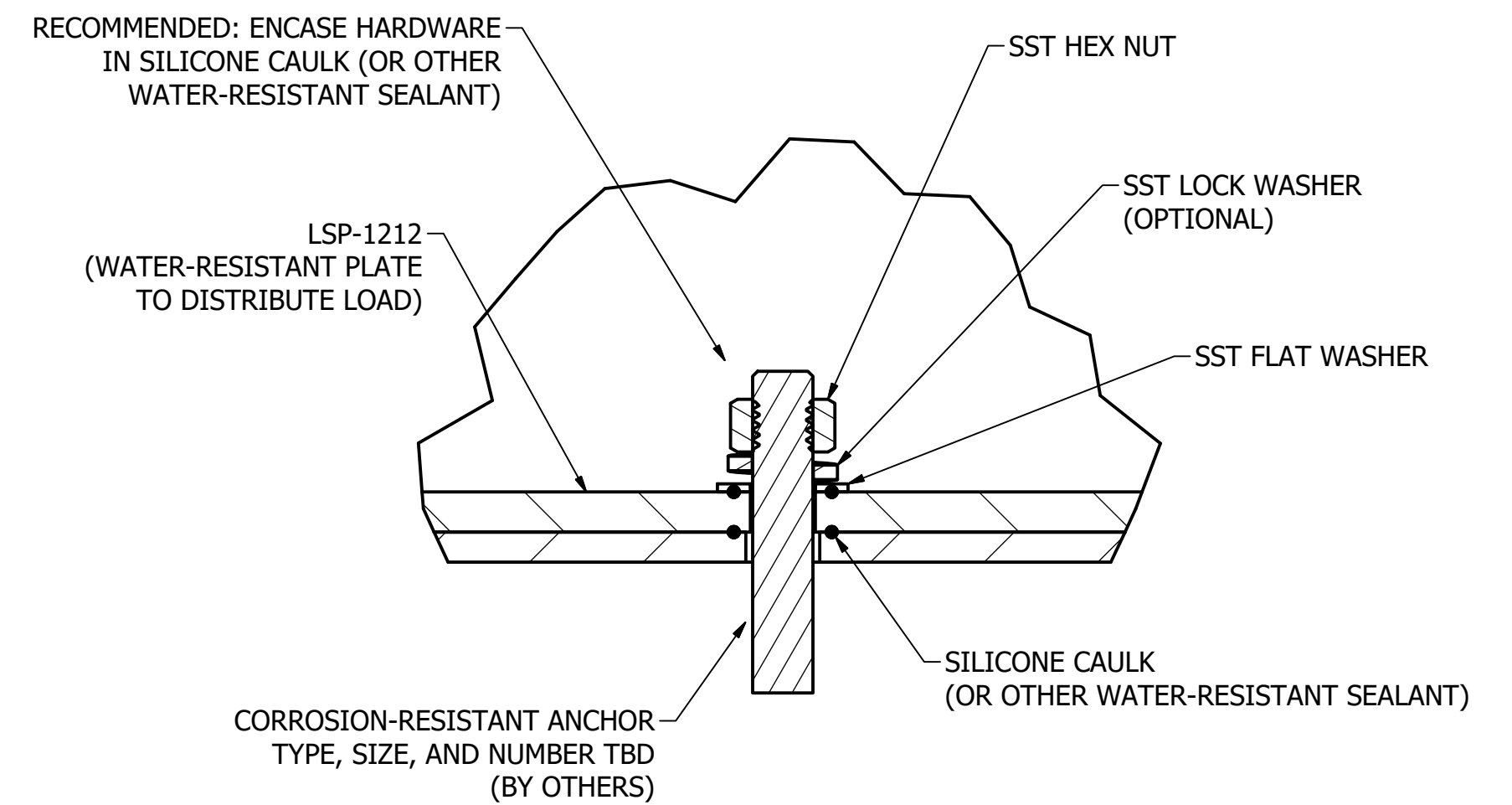
PLAN



ELEVATION



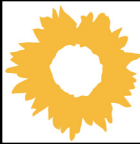
SECTION



DETAIL

NOTES: UNLESS OTHERWISE SPECIFIED

- 1) RECOMMENDED ANCHORING TECHNIQUE FOR FRP PLANTERS
- 2) UTILIZE LARGER PLATE AGAINST FLOOR OF PLANTER TO DISTRIBUTE FORCES OVER A GREATER AREA
- 3) APPLY SEALANT/CAULK AT ALL JOINTS (PLANTER-TO-PLATE, PLATE TO WASHER, ETC.)
- 4) SEAL HARDWARE ON INSIDE (WASHERS, NUT, ANCHOR) OF PLANTER WITH SILICONE CAULK OR OTHER WATER RESISTANT SEALANT

	Tournesol Siteworks 2930 Faber Street, Union City, CA 94587	TITLE
	FRP ANCHORING GUIDELINES	
DRAWN: WAY	11/13/2012	REV
SIZE	DWG NO	1
C	FRP ANCHORING	
ALL DIMENSIONS IN INCHES	SCALE 1/8	MATERIAL:
		SHEET 1 OF 1