

B-3 Bollard Collection

Decorative Steel Bollard for Pedestrian/Traffic Control and Security Barriers

Materials: **Mild Steel and Cast Steel**

B-3 Bollard Collection features decorative steel bollards available in 6 inch diameters with fully welded cast steel spherical top and lower collar, and a powder-coated finish. Removable bollards offer a visual deterrent and are easily taken out for emergency or service access. The B-3, 6" bollards can be used for security purposes when specified with a concrete fill cap and/or heavy schedule 80 steel pipe on permanent embed options.



- Available in schedule 10, 40 or 80 pipe, as required
- Bollards available in 30", 36", 42" or 48" standard heights
- Choose from three mounting styles: surface, removable or permanent embed
- B-3 Bollard Collection has optional eyebolts



B-3 Bollard Collection

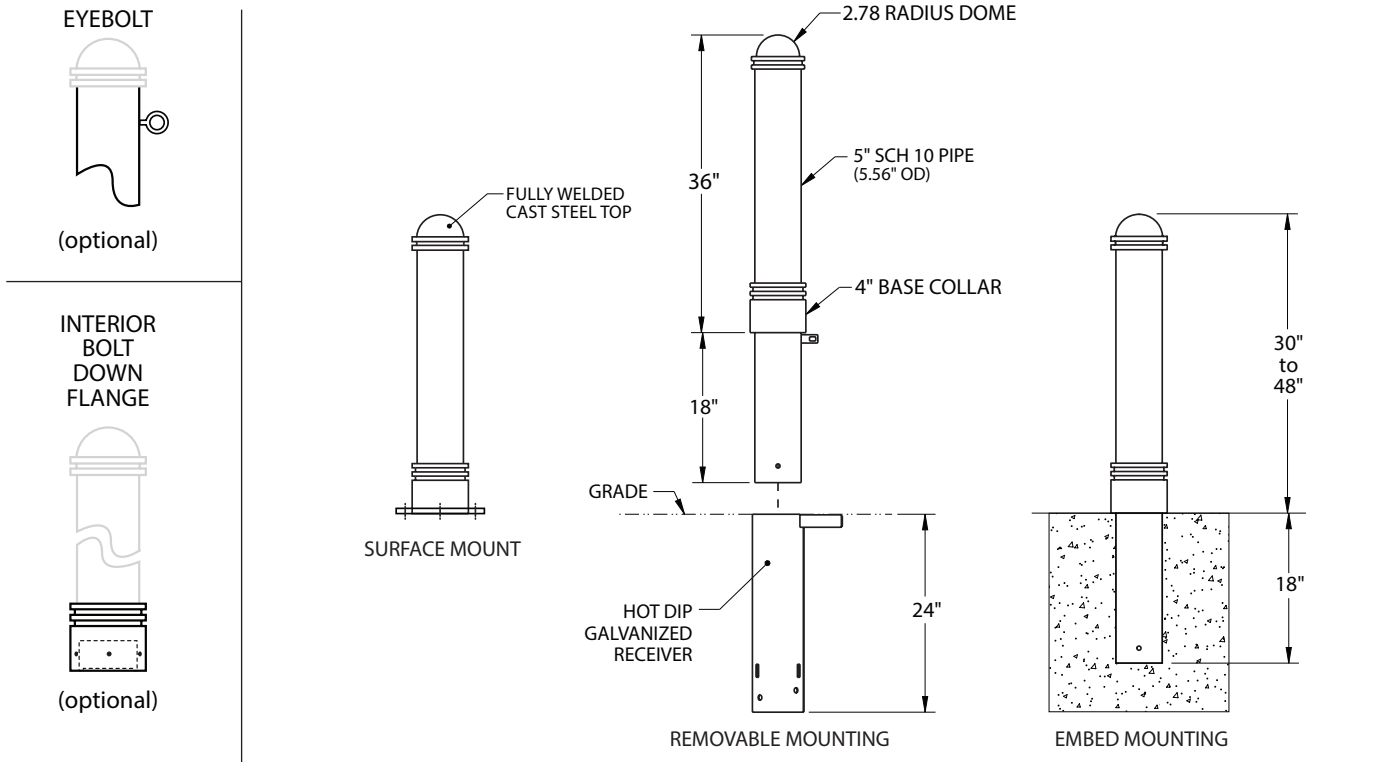
Specifications

Part. No.	Description	Size (W x H)	Weight	Mounting
B-0320-10-3006	Steel Bollard - 6", 30", Permanent Embed, Schedule 10	6" x 30", length 48"	59	Permanent Embed
B-0320-40-3006	Steel Bollard - 6", 30", Permanent Embed, Sched. 40	6" x 30", length 48"	84	Permanent Embed
B-0320-80-3006	Steel Bollard - 6", 30", Permanent Embed, Sched. 80	6" x 30", length 48"	114	Permanent Embed
B-0300-10-3006	Steel Bollard - 6", 30", Surface, Sched. 10	6" x 30", length 30"	57	Surface-mount
B-0300-40-3006	Steel Bollard - 6", 30", Surface, Sched. 40	6" x 30", length 30"	77	Surface-mount
B-0300-80-3006	Steel Bollard - 6", 30", Surface, Sched. 80	6" x 30", length 30"	93	Surface-mount
B-0340-10-3006	Steel Bollard - 6", 30", Removable, Sched. 10, use 6" Receiver	6" x 30", length 48"	87	Removable
B-0340-40-3006	Steel Bollard - 6", 30", Removable, Sched. 40, use 6" Receiver	6" x 30", length 48"	112	Removable
B-0340-80-3006	Steel Bollard - 6", 30", Removable, Sched. 80, use 6" Receiver	6" x 30", length 48"	142	Removable
B-0320-10-3606	Steel Bollard - 6", 36", Permanent Embed, Sched. 10	6" x 36", length 54"	63	Permanent Embed
B-0320-40-3606	Steel Bollard - 6", 36", Permanent Embed, Sched. 40	6" x 36", length 54"	91	Permanent Embed
B-0320-80-3606	Steel Bollard - 6", 36", Permanent Embed, Sched. 80	6" x 36", length 54"	124	Permanent Embed
B-0300-10-3606	Steel Bollard - 6", 36", Surface, Sched. 10	6" x 36", length 36"	61	Surface-mount
B-0300-40-3606	Steel Bollard - 6", 36", Surface, Sched. 40	6" x 36", length 36"	85	Surface-mount
B-0300-80-3606	Steel Bollard - 6", 36", Surface, Sched. 80	6" x 36", length 36"	102	Surface-mount
B-0340-10-3606	Steel Bollard - 6", 36", Removable, Sched. 10, use 6" Receiver	6" x 36", length 54"	91	Removable
B-0340-40-3606	Steel Bollard - 6", 36", Removable, Sched. 40, use 6" Receiver	6" x 36", length 54"	119	Removable
B-0340-80-3606	Steel Bollard - 6", 36", Removable, Sched. 80, use 6" Receiver	6" x 36", length 54"	152	Removable
B-0320-10-4206	Steel Bollard - 6", 42", Permanent Embed, Sched. 10	6" x 42", length 60"	67	Permanent Embed
B-0320-40-4206	Steel Bollard - 6", 42", Permanent Embed, Sched. 40	6" x 42", length 60"	99	Permanent Embed
B-0320-80-4206	Steel Bollard - 6", 42", Permanent Embed, Sched. 80	6" x 42", length 60"	135	Permanent Embed
B-0300-10-4206	Steel Bollard - 6", 42", Surface, Sched. 10	6" x 42", length 42"	65	Surface-mount
B-0300-40-4206	Steel Bollard - 6", 42", Surface, Sched. 40	6" x 42", length 42"	92	Surface-mount
B-0300-80-4206	Steel Bollard - 6", 42", Surface, Sched. 80	6" x 42", length 42"	112	Surface-mount
B-0340-10-4206	Steel Bollard - 6", 42", Removable, Sched. 10, use 6" Receiver	6" x 42", length 60"	95	Removable
B-0340-40-4206	Steel Bollard - 6", 42", Removable, Sched. 40, use 6" Receiver	6" x 42", length 60"	126	Removable
B-0340-80-4206	Steel Bollard - 6", 42", Removable, Sched. 80, use 6" Receiver	6" x 42", length 60"	162	Removable
B-0320-10-4806	Steel Bollard - 6", 48", Permanent Embed, Sched. 10	6" x 48", length 66"	71	Permanent Embed
B-0320-40-4806	Steel Bollard - 6", 48", Permanent Embed, Sched. 40	6" x 48", length 66"	107	Permanent Embed
B-0320-80-4806	Steel Bollard - 6", 48", Permanent Embed, Sched. 80	6" x 48", length 66"	145	Permanent Embed
B-0300-10-4806	Steel Bollard - 6", 48", Surface, Sched. 10	6" x 48", length 48"	69	Surface-mount
B-0300-40-4806	Steel Bollard - 6", 48", Surface, Sched. 40	6" x 48", length 48"	99	Surface-mount
B-0300-80-4806	Steel Bollard - 6", 48", Surface, Sched. 80	6" x 48", length 48"	123	Surface-mount
B-0340-10-4806	Steel Bollard - 6", 48", Removable, Sched. 10, use 6" Receiver	6" x 48", length 66"	99	Removable
B-0340-40-4806	Steel Bollard - 6", 48", Removable, Sched. 40, use 6" Receiver	6" x 48", length 66"	134	Removable
B-0340-80-4806	Steel Bollard - 6", 48", Removable, Sched. 80, use 6" Receiver	6" x 48", length 66"	173	Removable

Note: All heights listed in description are measured above grade. B-3 Bollards are available in 30", 36", 42" and 48" heights, removable bollard receivers are sold separately. ▶

Bollard Options

Part No.	Description	Size (W x H)	Weight	Mounting
	Bollard Options			
B-REC6	6" Receiver for removable bollard		27	
B-RCC6	6" Receiver Cover for removable bollard		5	
B-LWC	Lockwell Cover		1	
B-EB	Eyebolt (each)		1	
B-PD	Brass Padlock		1	
B-TOP	Separate Top (for concrete-filled bollard)		0	
B-RLWC	Retrofit Lockwell Cover		1	
B-IF	Interior Flange		0	



B-3 Bollards shown above in 5" pipe, also available in 30", 36", 42" and 48" heights, removable bollard receivers sold separately.

Choose from several standard powder coat colors. Bollards will have a zinc rich undercoat applied and a polyester based powder coat on top.

Bollard Options: Schedule 10, 40 or 80 pipe, eyebolts. On removable bollards: Receiver cover, lockwell cover and padlock. Mounting: Surface, removable or embed.

NOTE:

1. Depth and diameter of installation hole may vary with soil conditions. Consult project engineer for correct dimensions.

2. REMOVABLE BOLLARDS ONLY: Receiver must be installed in drainage rock. Improper installation will void the warranty.

For more information on our Traffic & Pedestrian Control products (including Planter Barriers, GFRC and Lit Bollards), see the website.

