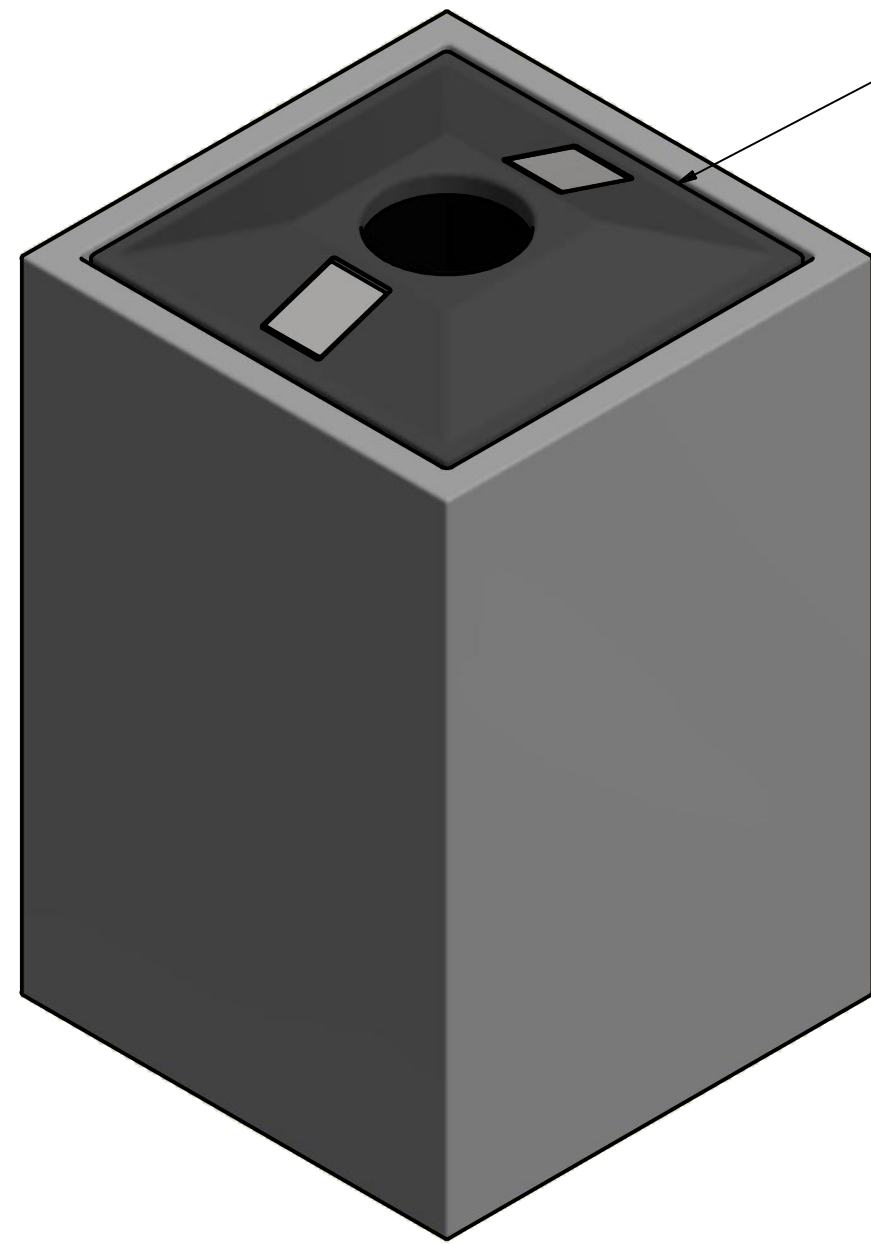
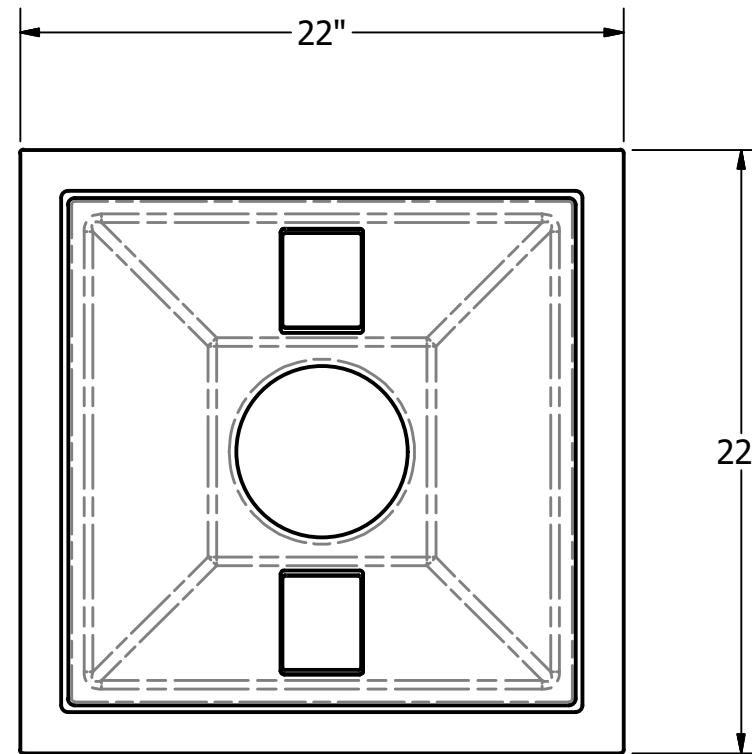


APPROVAL:

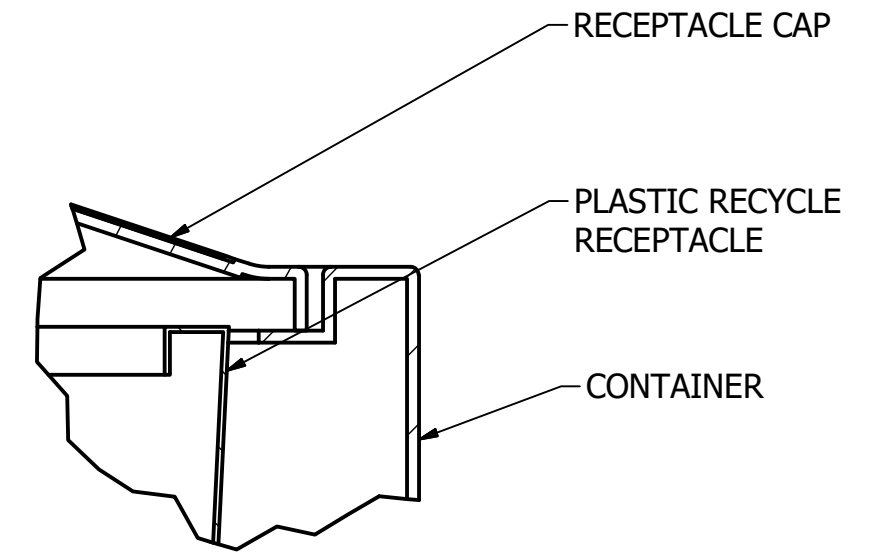
Signature authorizes Tournesol Siteworks to manufacture the product as shown



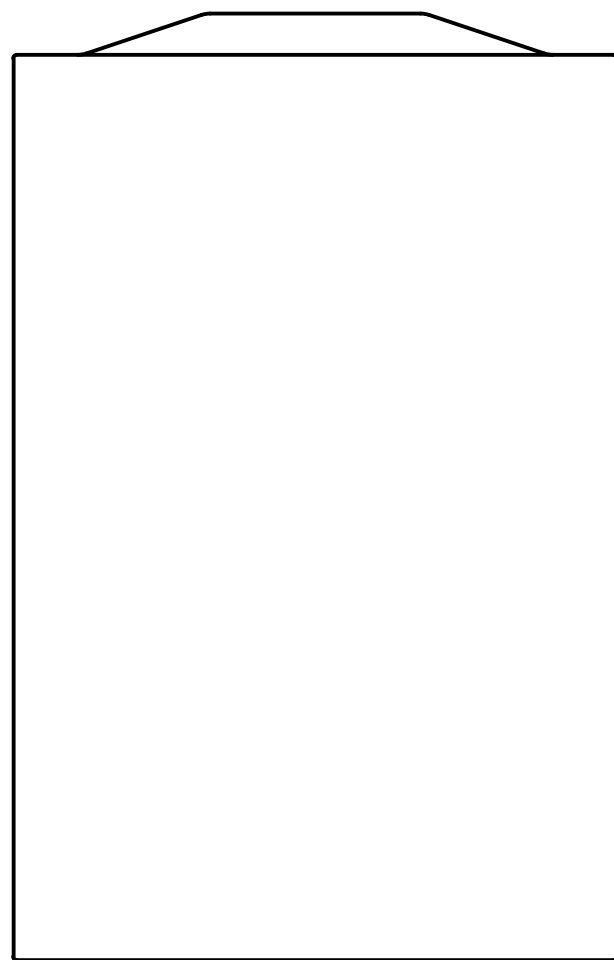
RECEPTACLE LID (PAINTED FRP)
TRASH/PLASTIC & GLASS OPENING SHOWN (SEE PAGE 2 FOR OPTIONS)



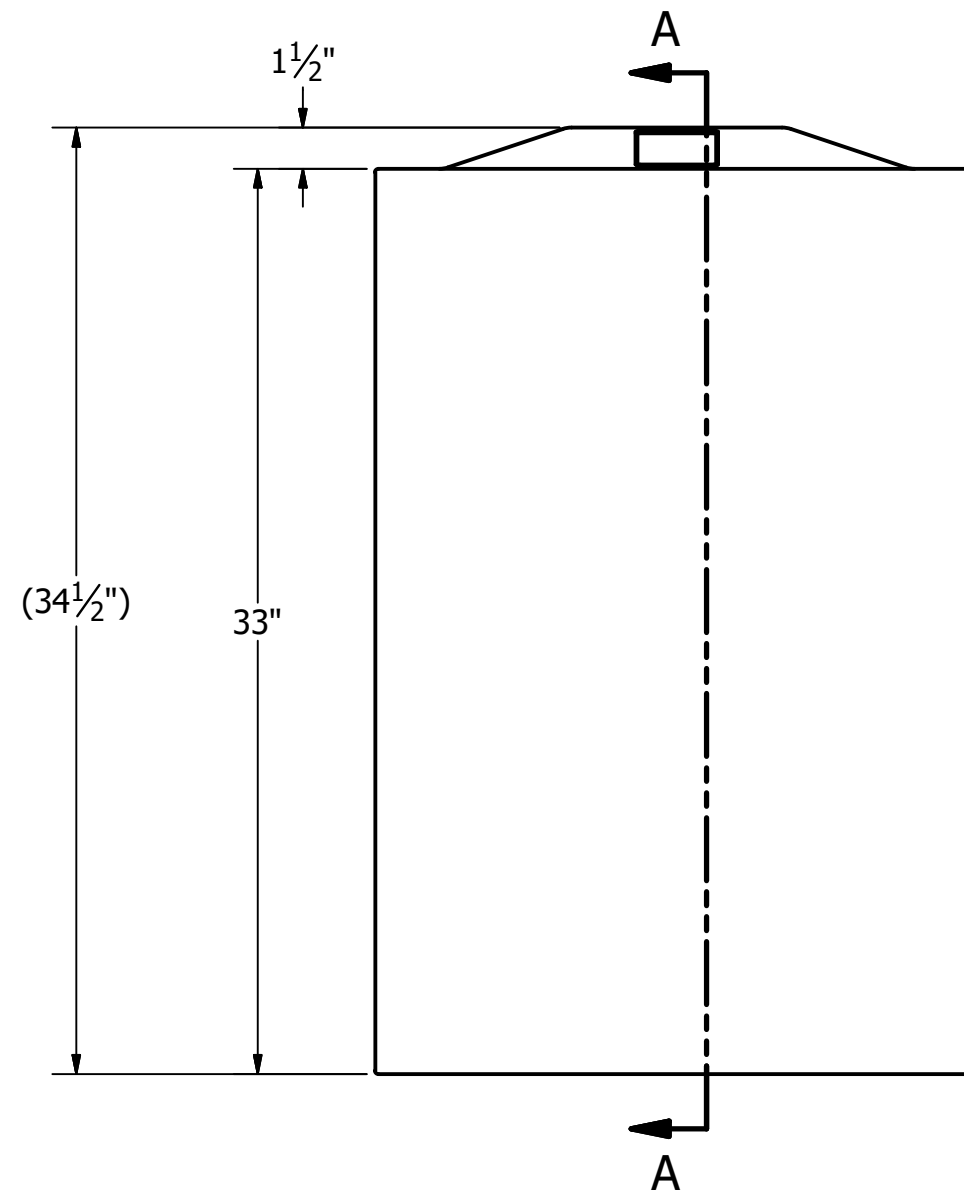
PLAN



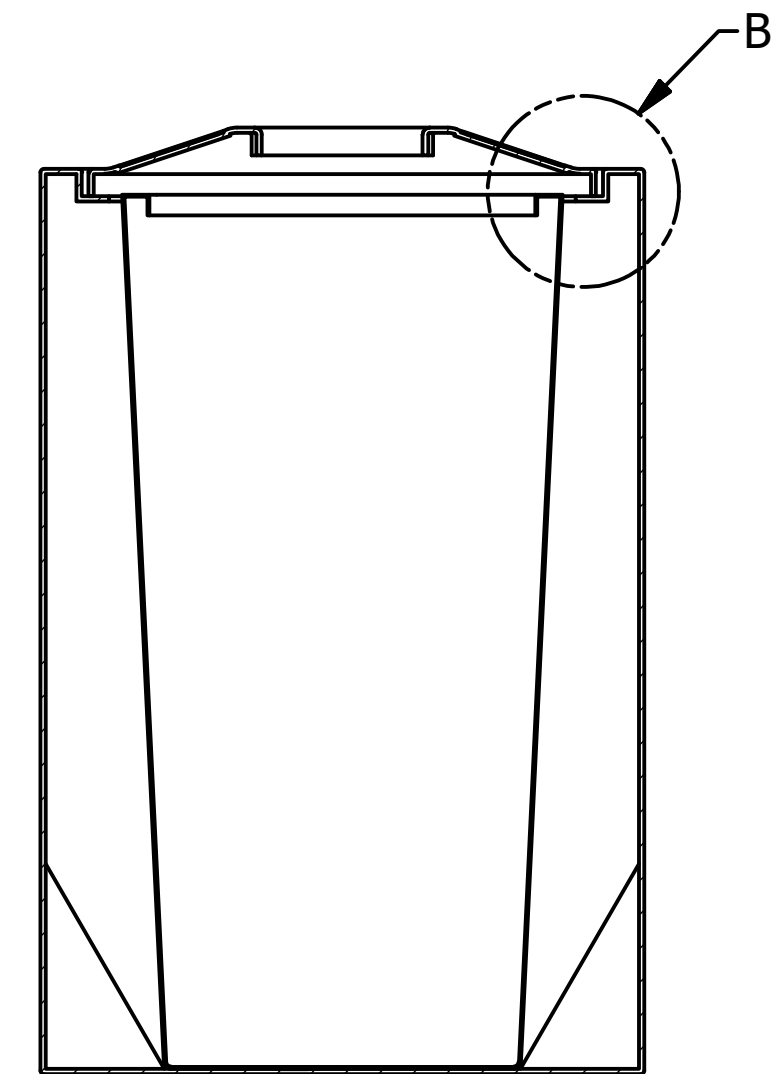
DETAIL B



SIDE



ELEVATION



SECTION A-A

NOTES: UNLESS OTHERWISE SPECIFIED

- 1) MATERIAL: FIBERGLASS REINFORCED PLASTIC (FRP)
NOMINAL WALL THICKNESS 1/8" - 3/16"
- 2) ALL DIMENSIONS ARE NOMINAL, ACTUAL SIZE MAY VARY.

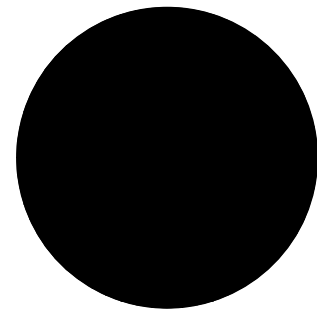
COLOR: _____

TEXTURE: _____

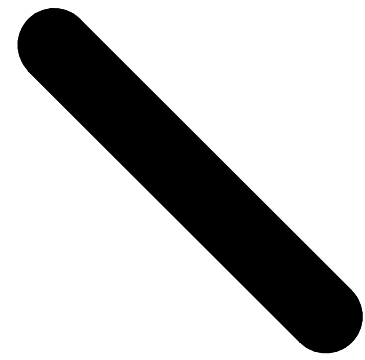
	Tournesol Siteworks 2930 Faber Street, Union City, CA 94587		TITLE
			WR-REC-01XX
DRAWN: MLC	3/8/2018		
SIZE	DWG NO		REV
C	WR-REC-01XX_SUB		B
ALL DIMENSIONS IN INCHES		SCALE 1/7	MATERIAL: SHEET 1 OF 2

APPROVAL:

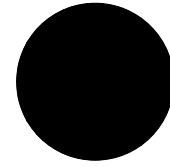
Signature authorizes Tournesol Siteworks
to manufacture the product as shown



TRASH/PLASTIC
& GLASS/COMPOST
(T) OR (B) OR (M)

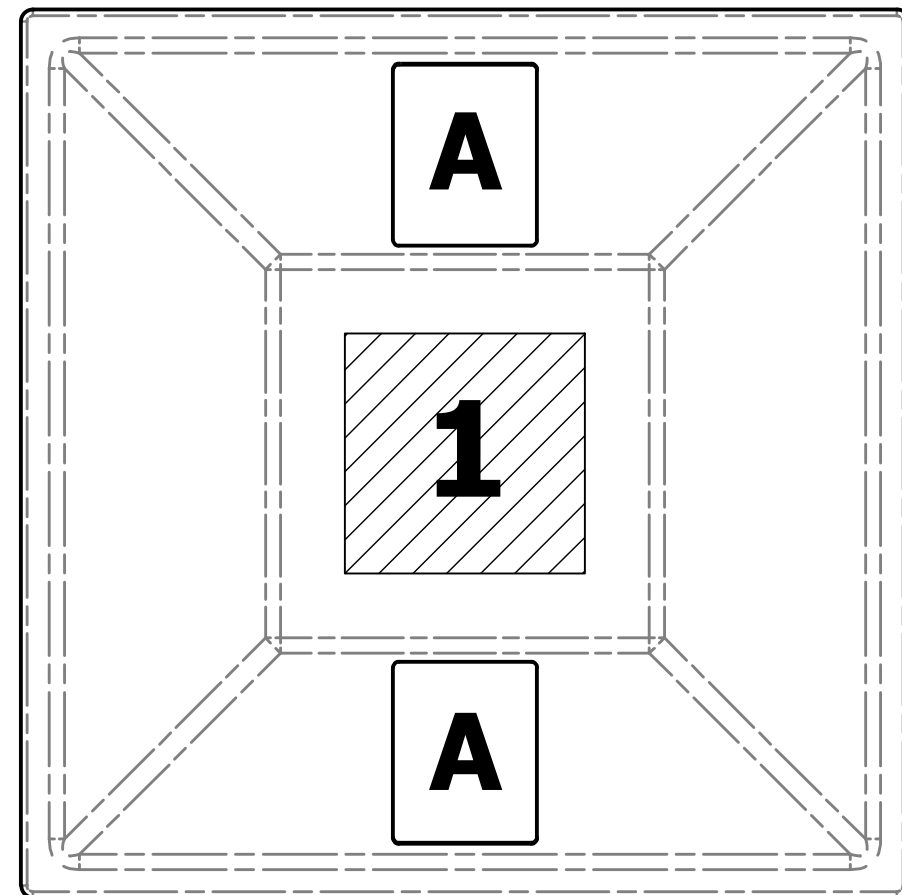


PAPER
(P)



DRINK CAN
(C)

RECEPTACLE OPENING



FRONT

RECEPTACLE DETAILS

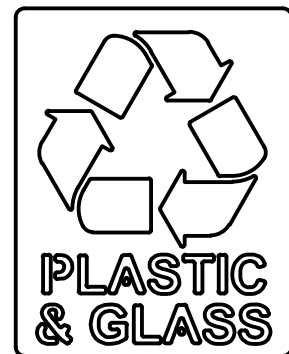
(NOTE THE CONFIGURATION FOR YOUR ORDER)

RECEPTACLE OPENING	POSITION 1
TRASH/PLASTIC & GLASS/COMPOST	
PAPER	
DRINK CAN	
RECEPTACLE LABEL	POSITION A
TRASH	
PLASTIC & GLASS	
DRINK CANS	
PAPER	
RECYCLE	
COMPOST	



TRASH

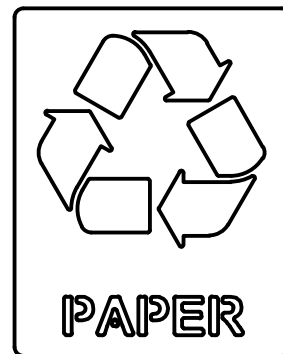
TRASH
(T)



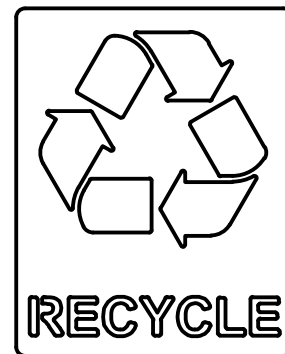
PLASTIC
& GLASS
(B)



DRINK
CANS
(C)



PAPER
(P)

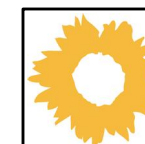


RECYCLE
(R)



COMPOST
(M)

RECEPTACLE LABEL



Tournesol Siteworks
2930 Faber Street,
Union City, CA 94587

TITLE

WR-REC-01XX

DRAWN: MLC

3/8/2018

SIZE

DWG NO

C

WR-REC-01XX_SUB

REV

B

ALL DIMENSIONS IN INCHES

SCALE 1/4

MATERIAL: GFRP

SHEET 2 OF 2