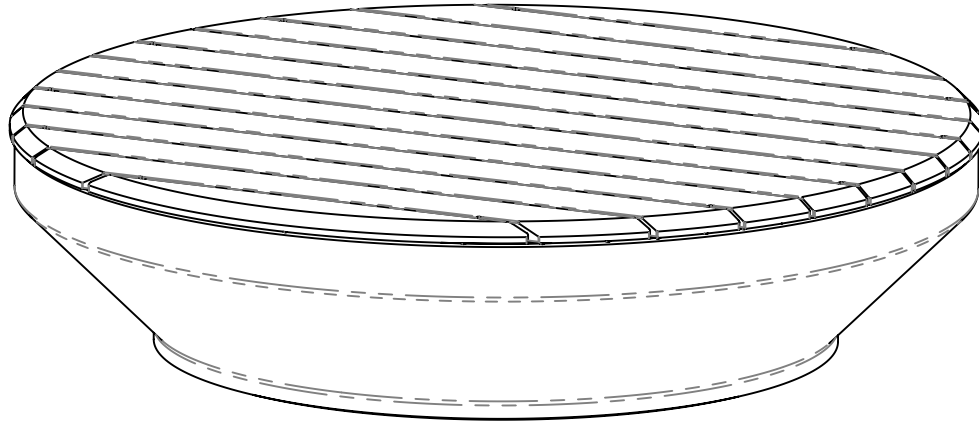


Installation Instructions



Product ships fully assembled. No assembly required unless floor anchoring. If anchoring is required, continue with these instructions on the following pages.

You can find information about caring for Tournesol products and materials by visiting: <https://www.tournesol.com/resources/fieldmanualscaremaintenance> where you can download Care & Maintenance documents.

INCLUDED

| | |
|-------------------------------|---------|
| GFRC Platform Base | 1 pc. |
| Platform Wood Top Sections | 3 pcs. |
| 1/4"-20 Socket Head Cap Screw | 12 pcs. |
| 1/4" Flat Washer | 12 pcs. |

NEEDED FOR ANCHORING *Not included*

- 3/16" hex bit with non-impact driver or hand tool
- Masonry bits, hammer drill
- Non-corrosive anchors, hardware with fender washers
- Optional: Sealant for anchor points and hardware

Unit should be moved in its shipping packaging to a location in close proximity to its final installed location. Carefully remove the packaging materials and inspect the unit for any damage that may have occurred during shipping. If damage has occurred, immediately report this to the shipping carrier at the time of delivery.

Instructions for Anchoring

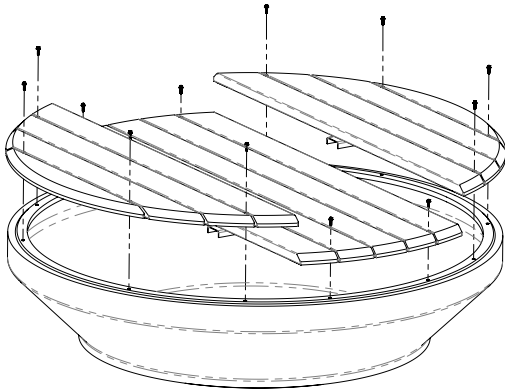


Fig. 1

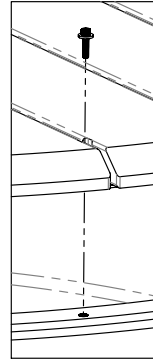


Fig. 2

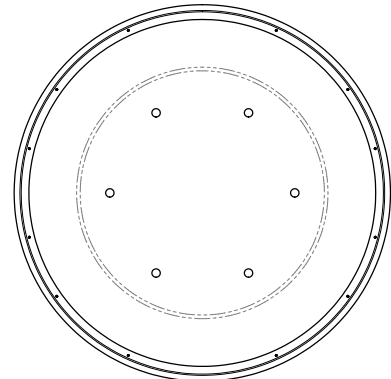


Fig. 3

STEP 1

With the desired location for anchoring, quantity, and type of anchoring established (verify with project manager), assure surface is level or shim around anchor location. Uneven surface conditions can damage product

STEP 2

Remove the wood top by unscrewing the 1/4"-20 socket-head cap screws (four per each section) using a 3/16" hex driver (figure 1 & 2).

⚠ When removing the wood tops, note the orientation of the wood slats and location of the attachment points. This will be critical if the wood slats require a specific orientation in its final location.

STEP 3

Mark and drill holes in the GFRc base for anchors as appropriate (to accommodate the selected anchor style and hardware). Clear any debris from inside the bench base.

⚠ The GFRc base will have existing holes (fig. 3) for drainage and should not be used for anchoring.

STEP 4

If adding anchors to substrate, use the newly drilled holes in the base to mark anchor locations in the substrate. Drill holes in substrate as required. Clear any debris from substrate surface where bench rests to maintain level.

STEP 5

Complete the anchoring using non-corrosive anchors and hardware.

STEP 6

Align center top section in its original position (fig. 4) and use a 3/16" hex driver to screw the four 1/4"-20 socket-head cap screws. Do not yet tighten these attachments.

Attach the outside top section in the same manner. It may be necessary to tilt the sections into place and then slide (figure 5 & 6) into its final position (1/4" gap) and screw into place with the 1/4"-20 screws. Do not over-tighten.

⚠ A 1/4" gap should be maintained between the boards of each section.

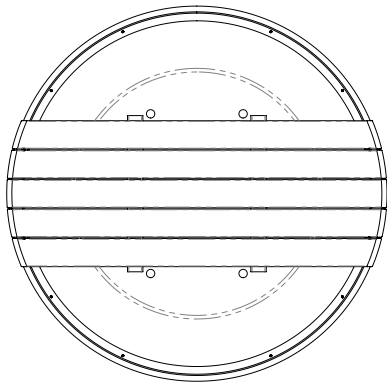


Fig. 4

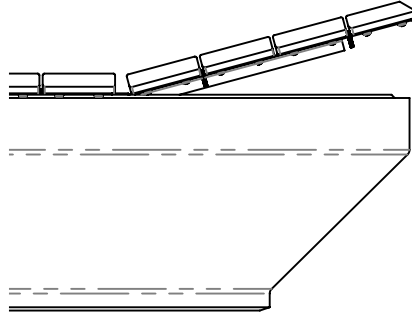


Fig. 5

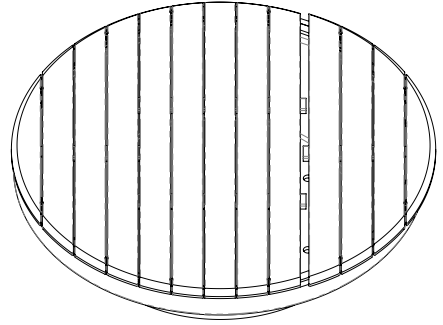


Fig. 6