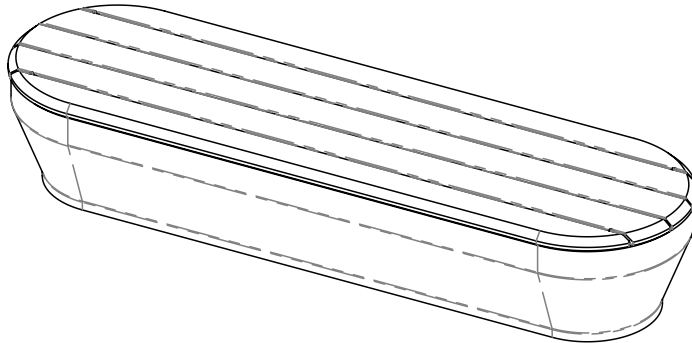


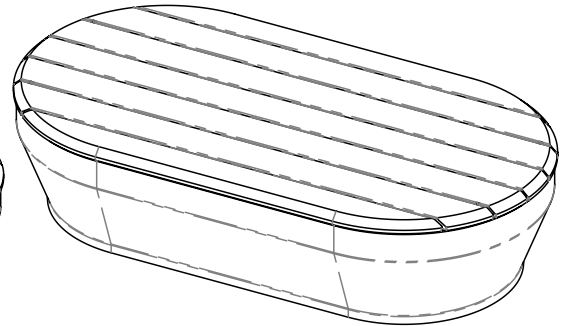
**PASO COLLECTION: LINEAR BENCHES:**  
96"x28" (PCB2962818), 74"x28" (PCB2742818)  
96"x40" (PCB2964018), 74"x40" (PCB2744018)



## Installation Instructions



PCB2962818



PCB2744018

Product ships fully assembled. No assembly required unless floor anchoring. If anchoring is required, continue with these instructions on the following page.

You can find information about caring for Tournesol products and materials by visiting:  
<https://www.tournesol.com/resources/fieldmanualscaremaintenance>  
where you can download Care & Maintenance documents.

### INCLUDED

GFRC Linear Base	1 pc.
Linear Wood Top	1 pc.
1/4"-20 Socket Head Cap Screw	4 pcs.
1/4" Flat Washer	4 pcs.

### NEEDED FOR ANCHORING *Not included*

3/16" hex bit with non-impact driver or hand tool  
Masonry bits, hammer drill  
Non-corrosive anchors, hardware with fender washers  
Optional: Sealant for anchor points and hardware

Unit should be moved in its shipping packaging to a location in close proximity to its final installed location. Carefully remove the packaging materials and inspect the unit for any damage that may have occurred during shipping. If damage has occurred, immediately report this to the shipping carrier at the time of delivery.

**PASO COLLECTION: LINEAR BENCHES:**  
96"x28" (PCB2962818), 74"x28" (PCB2742818)  
96"x40" (PCB2964018), 74"x40" (PCB2744018)

## Instructions for Anchoring

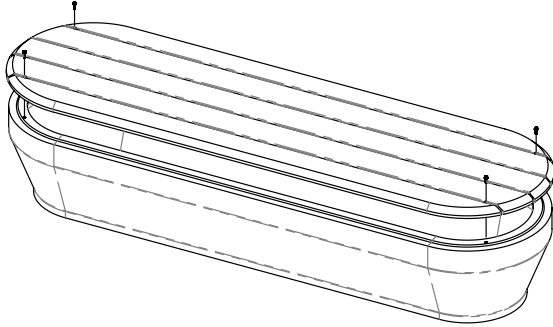


Fig. 1

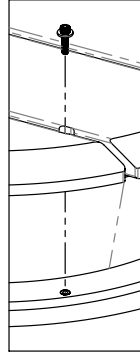


Fig. 2

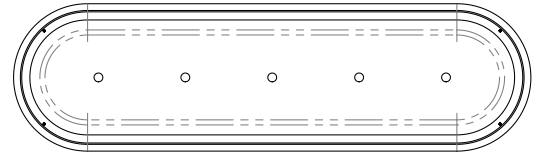


Fig. 3

### STEP 1


With the desired location for anchoring, quantity, and type of anchoring established (verify with project manager), assure surface is level or shim around anchor location. Uneven surface conditions can damage product.

### STEP 2

Remove the bench wood top by unscrewing the four 1/4"-20 socket-head cap screws using a 3/16" hex driver (figure 1 & 2).

### STEP 3

Mark and drill holes in the GFRc base for anchors as appropriate (to accommodate the selected anchor style and hardware). Clear any debris from inside stool base.

 *The GFRc base will have existing holes (fig. 3) for drainage and should not be used for anchoring.*

### STEP 4

If adding anchors to substrate, use the newly drilled holes in bench base to mark anchor locations in the substrate. Drill holes in substrate as required. Clear any debris from substrate surface where bench rests to maintain level.

### STEP 5

Complete the anchoring using non-corrosive anchors and hardware.

### STEP 6

Align top in its original position and use 3/16" hex driver to screw the four 1/4"-20 socket-head cap screws. Do not over-tighten.