

Wilshire Box Linear Planter System

Field Installation Instructions

(WB-1012, WB-1218, WB-1824 Wall Mount)

Fiberglass Planters with mounting brackets

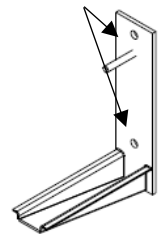


This instruction is a guide to installing the Wilshire Box Linear Planter System on a wall or support structure. Installation instructions are similar across all models of the Wilshire Box System.

Parts/Hardware List:

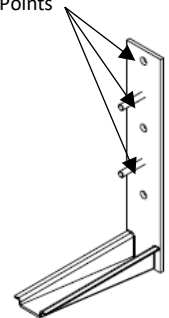
WB-1012 / WB-1218			
<u>24",36",48" - Length</u>	<u>60",72" - Length</u>	<u>90" - Length</u>	<u>120" - Length</u>
2 Mounting Brackets	3 Mounting Brackets	4 Mounting Brackets	5 Mounting Brackets
2 Neoprene Bushings	3 Neoprene Bushings	4 Neoprene Bushings	5 Neoprene Bushings
2 Rubber Washers	3 Rubber Washers	4 Rubber Washers	5 Rubber Washers
2 SS Hex Nuts	3 SS Hex Nuts	4 SS Hex Nuts	5 SS Hex Nuts
2 SS Washers	3 SS Washers	4 SS Washers	5 SS Washers
2 SS Split Lock Washers	3 SS Split Lock Washers	4 SS Split Lock Washers	5 SS Split Lock Washers

2 Mounting Points



WB-1824			
<u>24",36",48" - Length</u>	<u>60",72" - Length</u>	<u>90" - Length</u>	<u>120" - Length</u>
2 Mounting Brackets	3 Mounting Brackets	4 Mounting Brackets	5 Mounting Brackets
4 Neoprene Bushings	6 Neoprene Bushings	8 Neoprene Bushings	10 Neoprene Bushings
4 Rubber Washers	6 Rubber Washers	8 Rubber Washers	10 Rubber Washers
4 SS Hex Nuts	6 SS Hex Nuts	8 SS Hex Nuts	10 SS Hex Nuts
4 SS Washers	6 SS Washers	8 SS Washers	10 SS Washers
4 SS Split Lock Washers	6 SS Split Lock Washers	8 SS Split Lock Washers	10 SS Split Lock Washers

3 Mounting Points



Tools Required: Power Drill, Masonry Drill Bit (size determined by anchor system), Socket or Wrench. Brackets are sized for $1/2$ " diameter anchors, use appropriate anchor and hardware for the environment and material being mounted to (refer to project engineer).

Tournesol Siteworks, LLC

Successful sites start here™

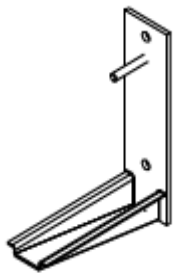
2930 Faber St., Union City, CA 94587

ph: 800.542.2282 f: 510.471.6243

www.tournesolsiteworks.com

48-00605-00, Rev. C

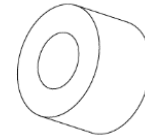
Parts Included:



Mounting Brackets



1/2" SS Washers



3/4" Rubber Spacers



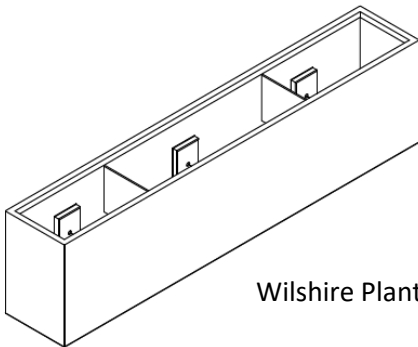
1/2" SS Hex Nuts



1/2" Rubber Washers



3/4" SS Lock Washers



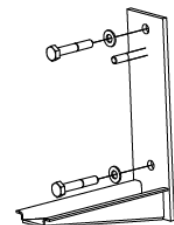
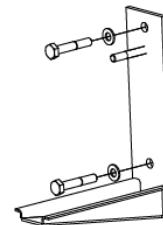
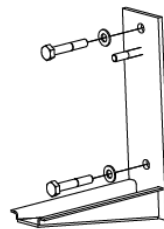
Wilshire Planter Box

Disclaimer: Mounting bracket, planter size, and hardware varies from model to model. Not drawn to scale.

Steps:

1) Identify the location for the Wilshire Box to be mounted. Identify which Wilshire Boxes are to be mounted (e.g. WB-1012, WB-1218, or WB-1824). Determine if multiple planters are to be mounted side-by-side or one-above-another. This is essential to planning the installation, verifying overall mounted size, and placing of each planter. Refer to architectural or project drawings (by others).

2) Measure and mark the locations for the mounting brackets. The following illustrations show the mounting brackets for **WB-1218-72**. Other models may have a different amount of brackets, mounting holes, and studs. Hang brackets using mounting holes by first installing anchors appropriately into the wall, then bolting mounting brackets to wall via the anchors.



Tournesol Siteworks, LLC

Successful sites start here™

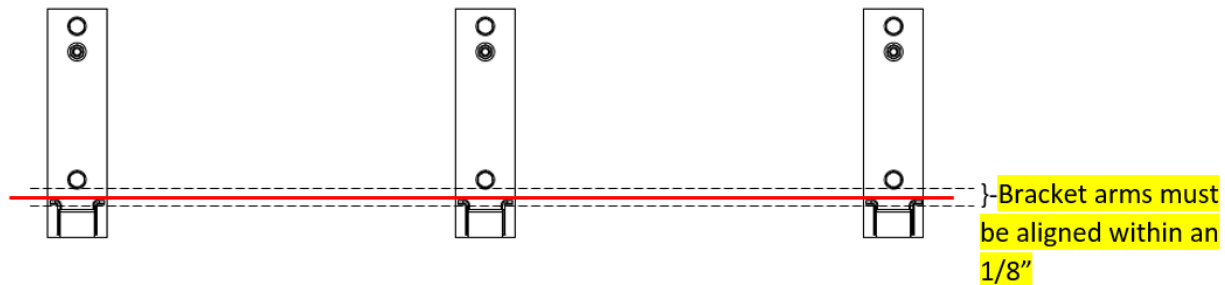
2930 Faber St., Union City, CA 94587

ph: 800.542.2282 f: 510.471.6243

www.tournesolsiteworks.com

48-00605-00, Rev. C

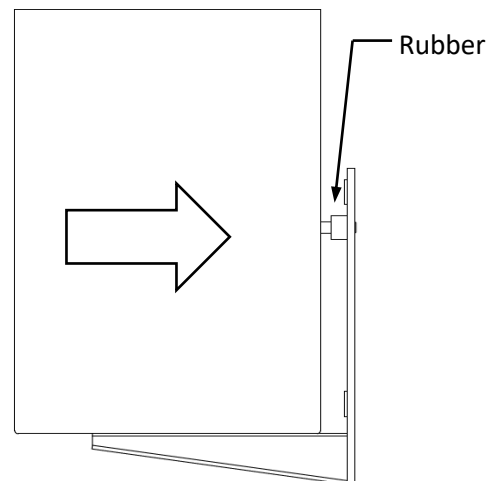
While hanging the brackets, make sure that each bracket is level and that the bracket arms are level within $\frac{1}{8}$ " of each other. A good rule-of-thumb is to keep bolts hand-tightened until level and plumb are achieved and then cinch the bolts appropriately.



Optional: Tournesol Siteworks can provide a template that can be used as a straight edge to align the mounting brackets, for an additional fee.

Pro Tip: If hanging more than 2 brackets for install, first hang the 2 end brackets while ensuring levelness and tolerance of alignment. Then, using laser level, chalk line, or other methods, mark the locations for other mounting brackets. Ensuring that all brackets are within $\frac{1}{8}$ " alignment on the bracket arms is essential to the proper functioning of the Wilshire Box Planter.

3. After brackets are installed, place the $\frac{3}{4}$ " rubber spacers on the studs. With the rubber spacers in place, mount the planter on the mounting bracket and carefully slide the planter back so the holes in the planter seat with the studs on the bracket.



Note: Due to production and potential site installation variations, the holes and studs may not align perfectly. If so, enlarge the hole in the appropriate direction to correct the misalignment (e.g. holes lower than stud, holes higher than stud, etc.). The bottom of the planter box must be resting on the horizontal arm of the bracket for proper function of the product.

Tournesol Siteworks, LLC

Successful sites start here™

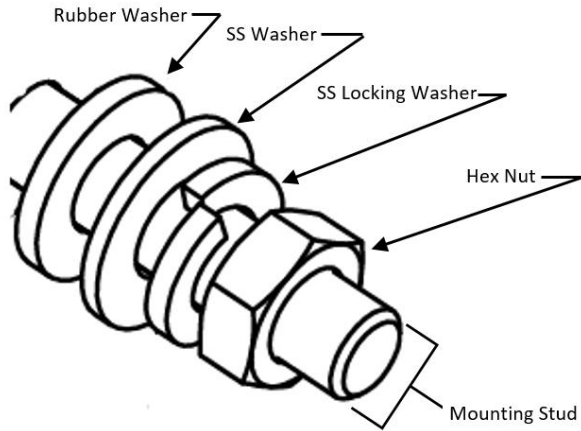
2930 Faber St., Union City, CA 94587

ph: 800.542.2282 f: 510.471.6243

www.tournesolsiteworks.com

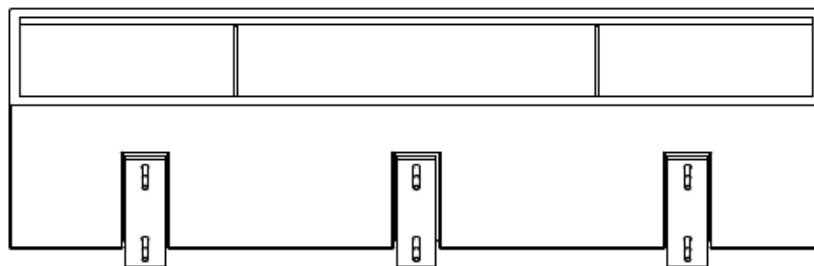
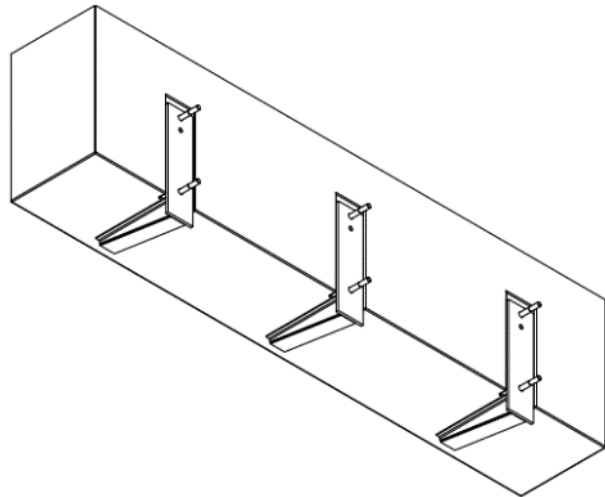
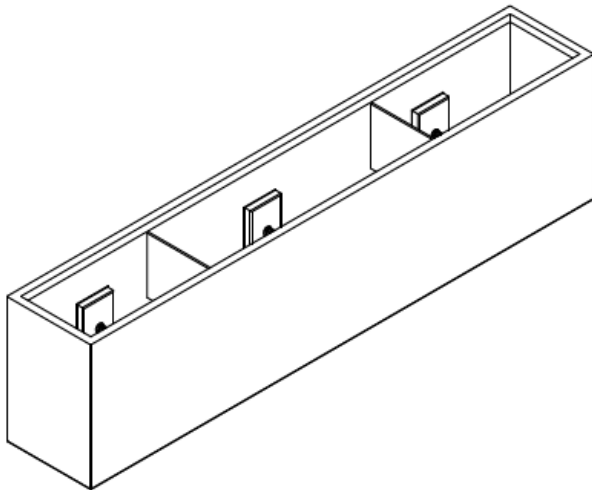
48-00605-00, Rev. C

4. Once the planter is seated, place a rubber washer on the stud to create a water proof seal. Next, place a metal washer on the stud, followed by the locking metal washer. Finally, attach the hex nut onto the stud to secure this part of the planter onto the mounting bracket.



Pro Tip #1: When attaching each bracket, tighten the nuts by hand. Only after verifying that the planter is resting on all the horizontal bracket arms, and the back is resting against the wall, should the nuts be tightened further with tools.

Pro Tip #2: Be careful to not overtighten the nut, as it can crack the planter. Tighten the nut until it is firmly in place, but not so tight that the wall of the planter deflects. Follow the same steps for the rest of the planter and it should rest on top of the mounting brackets securely.



Tournesol Siteworks, LLC

Successful sites start here™

2930 Faber St., Union City, CA 94587

ph: 800.542.2282 f: 510.471.6243

www.tournesolsiteworks.com

48-00605-00, Rev. C