

TerraScreen Interior Greenwall System Field Installation Instructions (TW-4949 and TW-7049 Wall Mount)

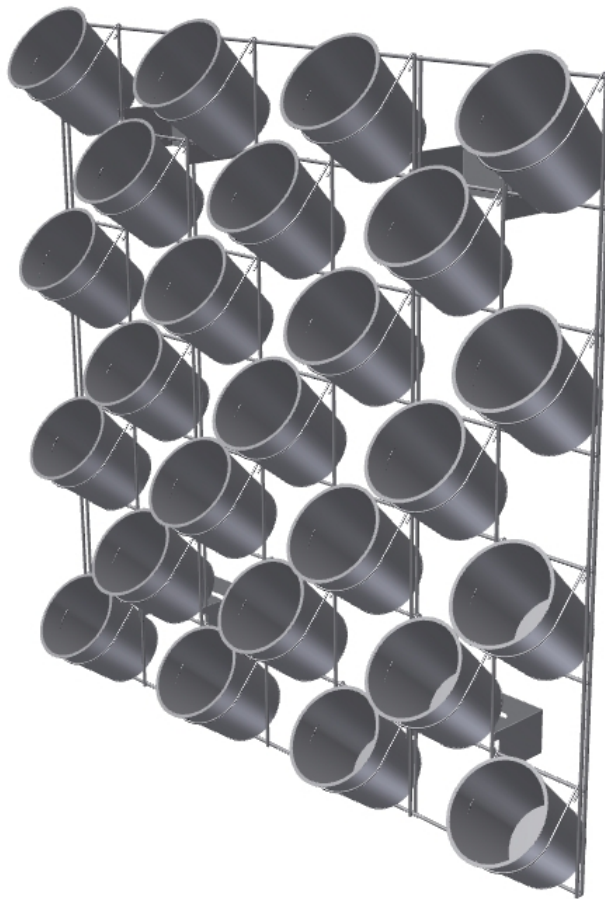


This instruction is a guide to installing the TerraScreen Interior Greenwall System on a wall or support structure.

PARTS/HARDWARE LIST

Terra Screen Panel (TW-4949 or TW-7049)		Mounting Bracket	4pcs. per screen
Cache Pot Stirrups	25pcs. per 4949	Cache Pot	25pcs. per 4949
	35pcs. per 7049		35pcs. per 7049
Cache Pot Grommet	1pc. per pot	¼" Hardware	4 sets per screen (determined by anchor method)

Tools Required: Power Drill, Drill Bit (size determined by anchor system), ¼" Bolt/Screw (type and length determined by anchor system), Socket or Wrench (depending on hardware).



Tournesol Siteworks, LLC
Complete Landscape Solutions for the Urban Environment
2930 Faber St., Union City, CA 94587
ph: 800.542.2282 f: 510.471.6243
www.tournesolsiteworks.com
48-00023-00, Rev. C

STEPS

1) Identify the location for the TerraScreen panel(s) to be mounted. Identify which TerraScreen panels are to be mounted (e.g. TW-4949 or TW-7049). Determine if multiple panels are to be mounted side-by-side or one-above-another. This is essential to planning the installation, verifying overall mounted size, and placement of each screen.

2) Measure and mark the locations for the mounting brackets. The following illustrations show the position of each mounting bracket for TW-4949 and TW-7049 panels.

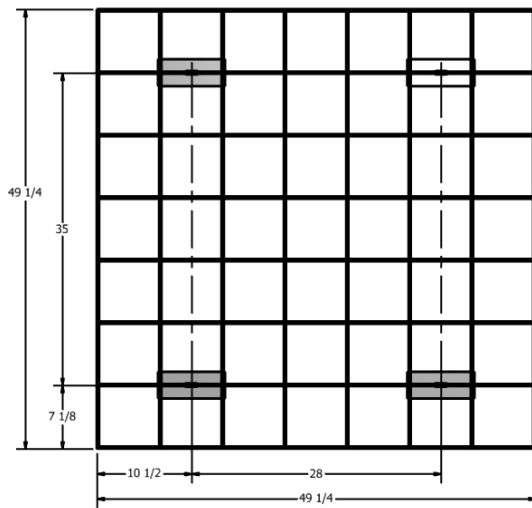


Fig. a) TW-4949 Panel (mount positions)

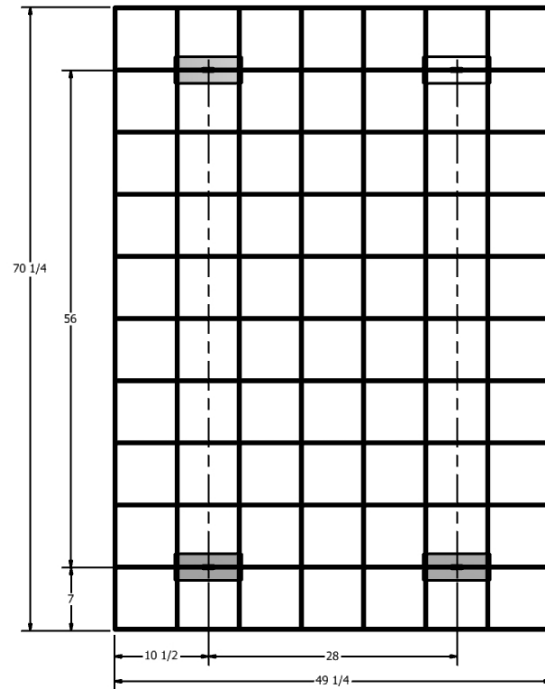


Fig. b) TW-7049 Panel (mount positions)

3) Drill holes in wall/support structure. Size will be determined by the type of wall anchor to be used. Use 1/4" bolts and hardware that will provide ~100 lbs. of support (pull-out force) for each mounting location.

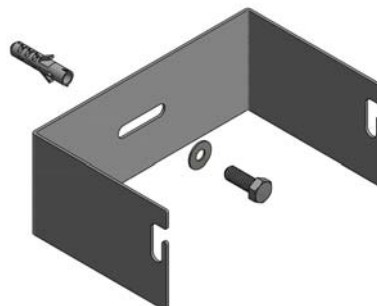


Fig. c) General Mounting

Tournesol Siteworks, LLC
Complete Landscape Solutions for the Urban Environment

2930 Faber St., Union City, CA 94587
ph: 800.542.2282 f: 510.471.6243
www.tournesolsiteworks.com
48-00023-00, Rev. C

4) If multiple panels are to be mounted, measure and mark the locations of the mounting bracket locations for the first screen, then measure and mark the mounting bracket locations for the subsequent screens. The following illustrations show both vertical and horizontal spacing for 4949 and 7049 screens with no gap between screens. If additional space is required between screens, extend the mount spacing accordingly.

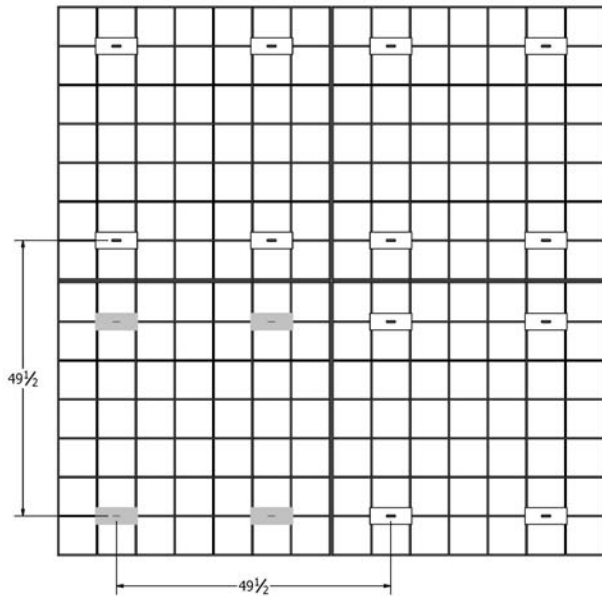


Fig d) 4949 Panel Mount Spacing

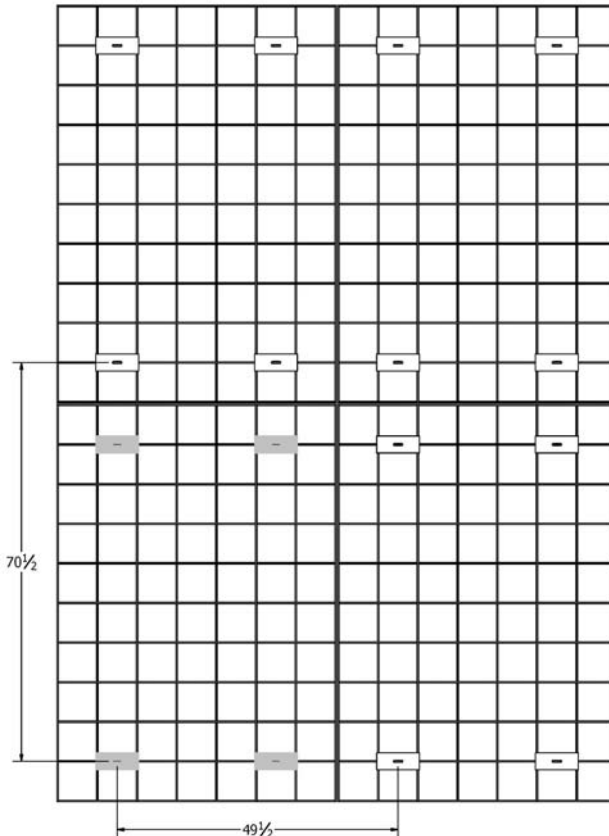


Fig e) 7049 Panel Mount Spacing

5) Attach the screen mounting bracket to each mounting location on the wall/structure. Do not tighten completely, as it will be useful to allow some movement for mounting the screen.

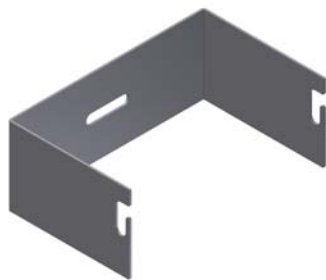


Fig. f) Single Mounting Bracket

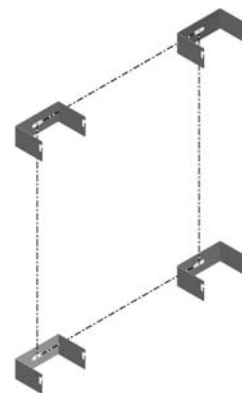


Fig. g) Set of Four Mounting Brackets

Tournesol Siteworks, LLC
Complete Landscape Solutions for the Urban Environment

2930 Faber St., Union City, CA 94587
 ph: 800.542.2282 f: 510.471.6243
 www.tournesolsiteworks.com
 48-00023-00, Rev. C

6) Hang the screen onto the mounting brackets. Each mounting bracket should be located two squares in and two squares up or down from the outside of the grid. Tighten hardware on mounting bracket. If multiple screens are being installed, hang adjacent screens before tightening hardware on mounting bracket.

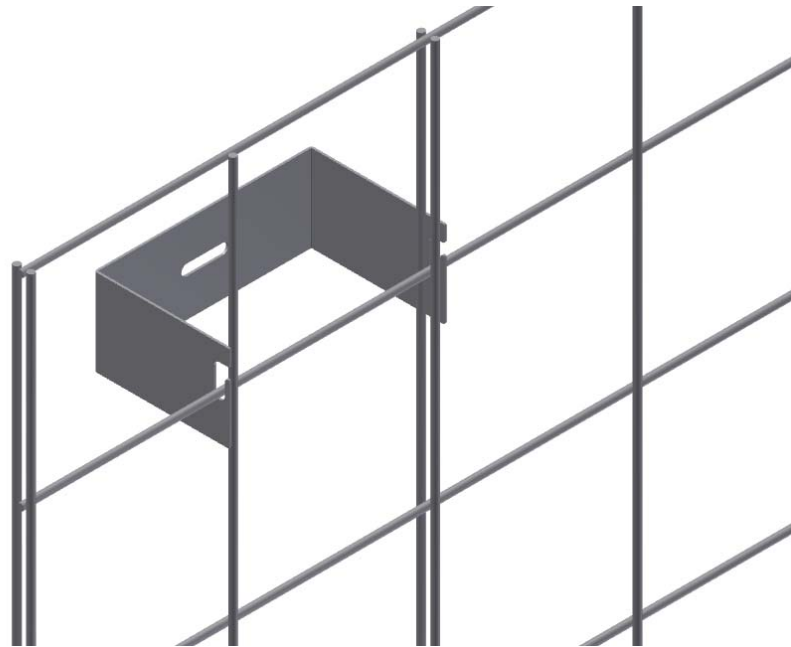


Fig h) Screen Installed on Bracket

7) Install cache pot stirrups. With the screen in place, slip the hook portion of the stirrups over the horizontal wire of the screen. The stirrups are to be placed in every other grid position (note the illustrations for placement). The open portion of the hook will face downward from the horizontal wire on the screen as shown.



Fig. i) Hanger in Every Other Grid

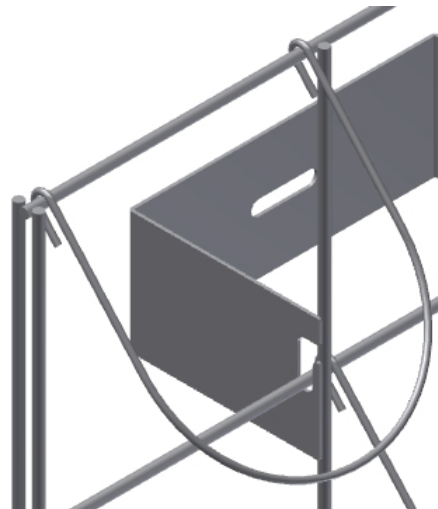


Fig. j) Stirrup Hooked on Screen

Tournesol Siteworks, LLC
Complete Landscape Solutions for the Urban Environment

2930 Faber St., Union City, CA 94587
ph: 800.542.2282 f: 510.471.6243
www.tournesolsiteworks.com
48-00023-00, Rev. C

If mounting two or more screens together, remember to skip every other grid position when installing the cache pot stirrups. This will require that some corners of the screen remain open, so plant selection should be considered for adjacent locations. The final placement of cache pot stirrups and cache pots will resemble a checker board similar to the following.

PLANT	OPEN	PLANT	OPEN	PLANT	OPEN	PLANT								
OPEN	PLANT	OPEN	PLANT	OPEN	PLANT	OPEN								
PLANT	OPEN	PLANT	OPEN	PLANT	OPEN	PLANT								
OPEN	PLANT	OPEN	PLANT	OPEN	PLANT	OPEN								
PLANT	OPEN	PLANT	OPEN	PLANT	OPEN	PLANT								
OPEN	PLANT	OPEN	PLANT	OPEN	PLANT	OPEN								
PLANT	OPEN	PLANT	OPEN	PLANT	OPEN	PLANT								
Panel 1							Panel 2							

Fig. k) Two 4949 Panels, Side-By-Side

8) Install the grommet in the hole provided in the cache pot. Place a cache pot in each stirrup location.

9) Route the tube extending from 6-position bubbler to the appropriate cache pot and push end of tube through grommet into cache pot approx. 1 to 1 1/2". The tube that goes to each cache pot depends on the location of the cache pot relative to the 6-position bubbler. The tubes are pre-cut to the appropriate lengths (TW4949 screen = 9", 16", 24", 32", 38", 46", and 54"; TW-7049 screen = 9", 16", 24", 32", 38", 46", 54", 62", 70", and 78").



Fig. l) Grommet into Cache Pot



Fig. m) Tube 1" – 1 1/2" Extension

To identify which tube goes to which cache pot refer to the position of the bubbler as it is viewed from the back of the screen. Position #1 would be closest to the upper right corner and position #5 would be closest to the upper left corner. Each row further from the bubbler

Tournesol Siteworks, LLC
Complete Landscape Solutions for the Urban Environment

2930 Faber St., Union City, CA 94587
 ph: 800.542.2282 f: 510.471.6243
 www.tournesolsiteworks.com
 48-00023-00, Rev. C

requires a longer tube. Following are tables to demonstrate the correct location for each length of tube.

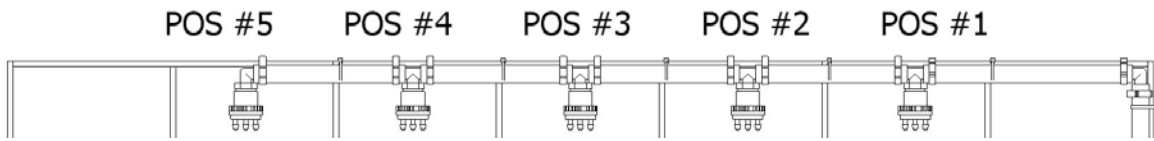


Fig. n) TW-4949 Bubbler Position as Viewed From Rear

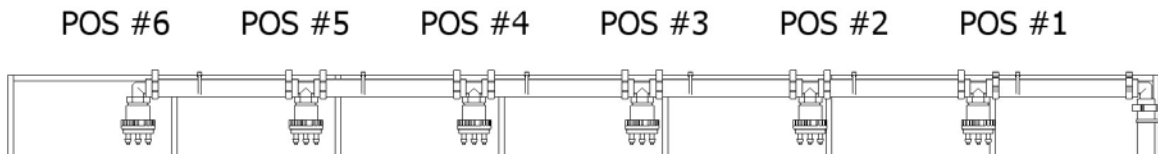


Fig. o) TW-7049 Bubbler Position as Viewed From Rear

TW-4949 Screen Tube Length/Position Table

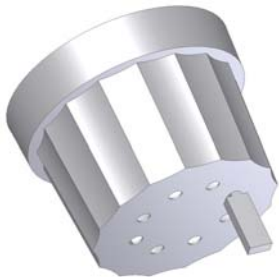
	COL. 7	COL. 6	COL. 5	COL. 4	COL. 3	COL. 2	COL. 1
ROW 1	9" @ P5		9" @ P4		9" @ P2		9" @ P1
ROW 2		16" @ P4		16" @ P3		16" @ P2	
ROW 3	24" @ P5		24" @ P3		24" @ P3		24" @ P1
ROW 4		32" @ P4		32" @ P3		32" @ P2	
ROW 5	38" @ P5		38" @ P4		38" @ P2		38" @ P1
ROW 6		46" @ P5		46" @ P3		46" @ P1	
ROW 7	54" @ P5		54" @ P4		54" @ P2		54" @ P1

Note: P1 = Bubbler Position #1, P2 = Bubbler Position #2, etc.

TW-7049 Screen Tube Length/Position Table

	COL. 7	COL. 6	COL. 5	COL. 4	COL. 3	COL. 2	COL. 1
ROW 1	9" @ P6		9" @ P4		9" @ P2		9" @ P1
ROW 2		16" @ P5		16" @ P3		16" @ P2	
ROW 3	24" @ P6		24" @ P4		24" @ P3		24" @ P1
ROW 4		32" @ P5		32" @ P3		32" @ P2	
ROW 5	38" @ P6		38" @ P4		38" @ P3		38" @ P1
ROW 6		46" @ P5		46" @ P4		46" @ P2	
ROW 7	54" @ P6		54" @ P4		54" @ P3		54" @ P1
ROW 8		62" @ P5		62" @ P4		62" @ P2	
ROW 9	70" @ P6		70" @ P5		70" @ P2		70" @ P1
ROW 10		78" @ P5		78" @ P3		78" @ P1	

Note: P1 = Bubbler Position #1, P2 = Bubbler Position #2, etc.



10) Insert the wick (provided) into the cache grow pot. Place the grow pot into the cache pot with the wick positioned toward the front. This will improve the water pickup for the plant.

Fig. p) Wick Placed in Grow Pot

Tournesol Siteworks, LLC
Complete Landscape Solutions for the Urban Environment

2930 Faber St., Union City, CA 94587
 ph: 800.542.2282 f: 510.471.6243
 www.tournesolsiteworks.com
 48-00023-00, Rev. C