

Tournesol
SITEWORKS

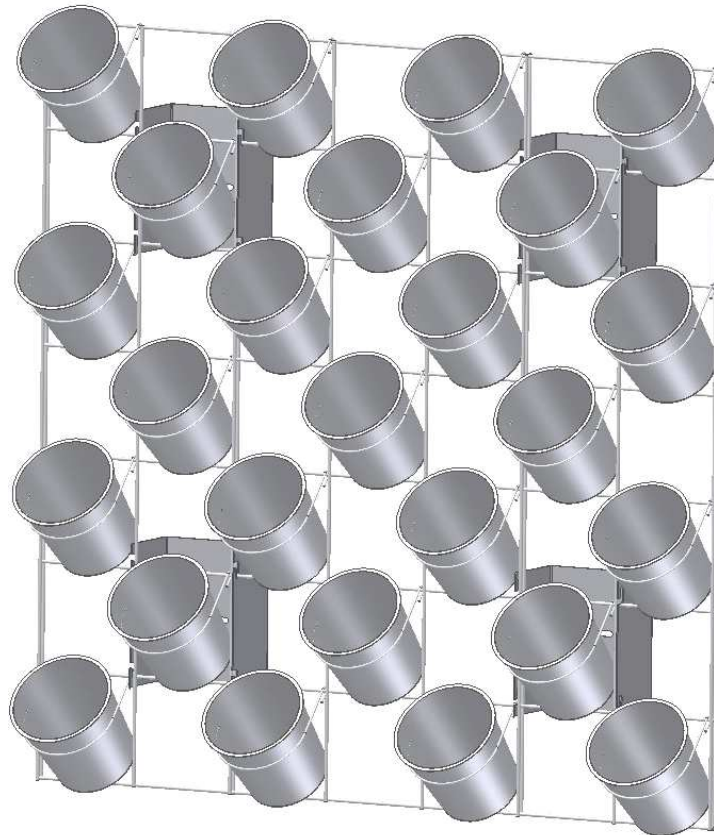
TerraScreen Interior Greenwall System Field Installation Instructions (TW-4949 and TW-7049 Free-Standing)

This instruction is a guide to installing the TerraScreen Interior Greenwall System on the free-standing frame and leg structure.

PARTS/HARDWARE LIST

Terra Screen Panel (TW-4949 or TW-7049)		Mounting Bracket	4pcs. per screen
Terra Screen Frame	1pc. per screen	Terra Screen Legs	2pcs. per screen
Cache Pot Stirrups	25pcs. per 4949	Cache Pot	25pcs. per 4949
	35pcs. per 7049		35pcs. per 7049
Cache Pot Grommet	1pc. per pot	¼" Washer	16pcs. per stand
¼-20 UNC x 2 ½" Bolt	4pcs. per stand	¼-20 UNC Hex Nut	8pcs. per stand

Tools Required: Socket and/or Wrench for ¼" Bolt and Nuts



Tournesol Siteworks, LLC

Complete Landscape Solutions for the Urban Environment

30955 San Antonio St., Hayward, CA 94554

ph: 800.542.2282 f: 510.471.6243

www.tournesolsiteworks.com

48-00023-10, Rev. A

STEPS

1) Assemble the stand(s) that will be used for the screen. Each stand will include a frame and two legs. Mounting the legs will depend on which screen size is being used and the preference for how high off the floor the screen will start. Each leg is mounted to the frame in two places using a ¼-20x2 ½" UNC bolt, washers and nut.

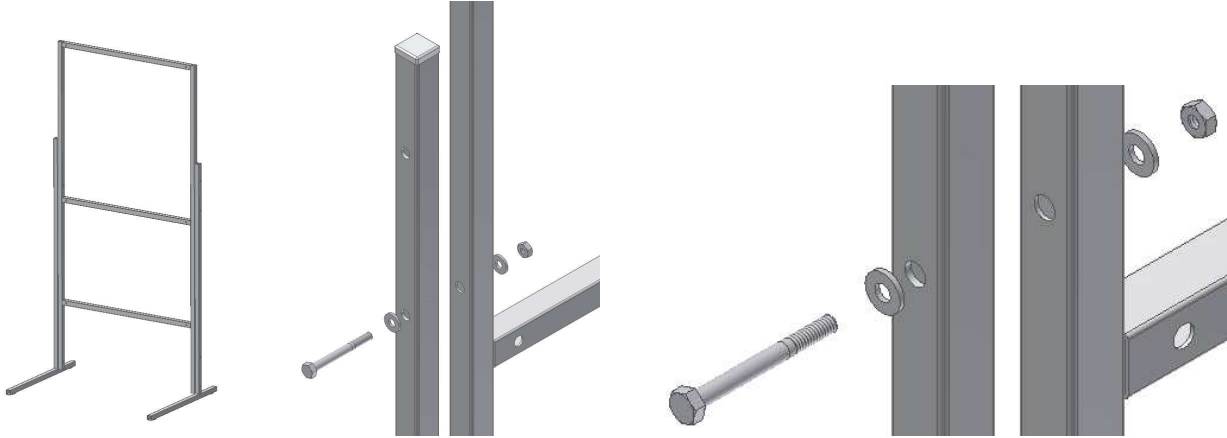


Fig. a) Frame Assembled

Fig. b & c) Hardware Configuration for Frame Assembly

If the legs are mounted to the frame using the lower set of holes, either the TW-4949 or the TW-7049 will stand a total of approx. 79 inches tall. At that point, the TW-4949 screen should have a spacing of approx. 29 inches off the floor while a TW-7049 screen will have a spacing of approx. 8 inches off the floor.

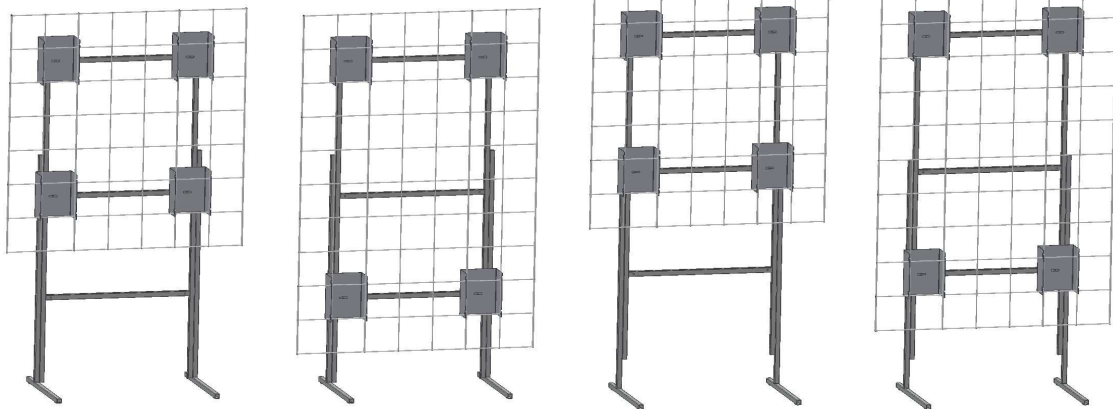


Fig. c) Lower Mounting Position Placement

Fig. d) Upper Mounting Position Placement

If the legs are mounted to the frame using the upper set of holes, either the TW-4949 or the TW-7049 will stand a total of approx. 85 inches tall. At that point, the TW-4949 screen should have a spacing of approx. 37 inches off the floor while a TW-7049 screen will have a spacing of approx. 14 inches off the floor.

2) With the frame and legs assembled, mount the screen bracket to the frame. Depending on which screen you are mounting, the bracket locations will change. Whether mounting the TW-4949 or the TW-7049, two brackets will be mounted on the top most horizontal frame member.

If mounting a TW-4949, two additional brackets will be mounted to the middle horizontal frame member. If mounting a TW-7049, the two additional brackets will be mounted to the lower horizontal frame member. Each bracket will be mounted to the frame using a 1/4-20x1 1/2" UNC bolt, washers and nuts.

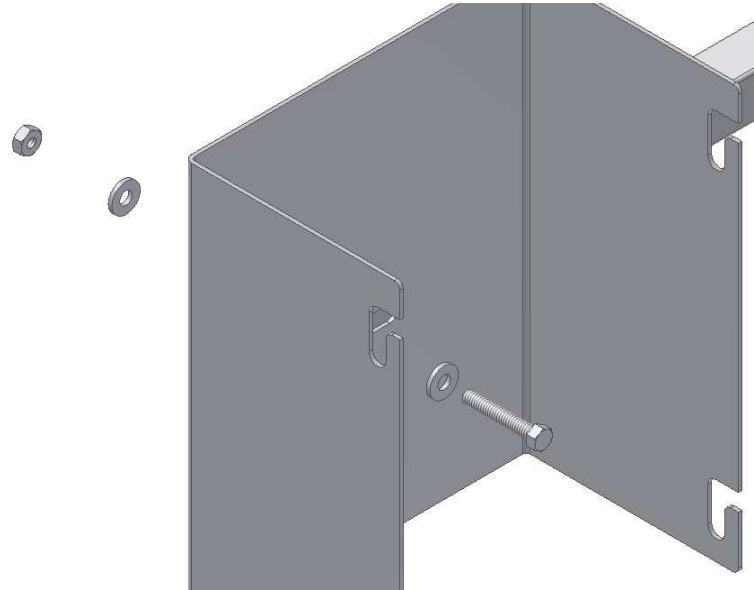
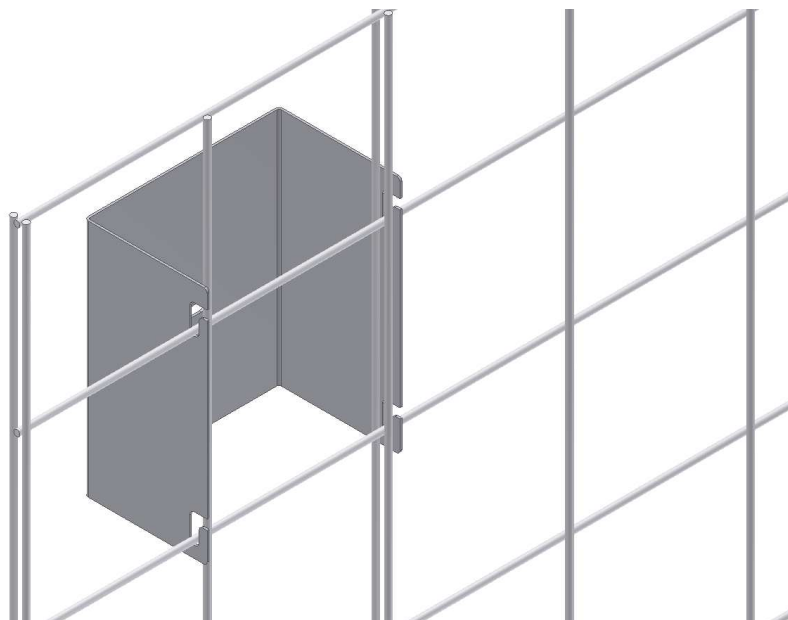


Fig. e) General Bracket Mounting

3) Hang the screen onto the mounting brackets. Each mounting bracket should be located two squares in and two squares up or down from the outside of the grid. Tighten hardware on mounting bracket. If multiple screens are being installed, hang adjacent screens before tightening hardware on mounting bracket.



Tournesol Siteworks, LLC
Complete Landscape Solutions for the Urban Environment
30955 San Antonio St., Hayward, CA 94554
ph: 800.542.2282 f: 510.471.6243
www.tournesolsiteworks.com
48-00023-10, Rev. A

Fig f) Screen Installed on Bracket

4) Install cache pot stirrups. With the screen in place, slip the hook portion of the stirrups over the horizontal wire of the screen. The stirrups are to be placed in every other grid position (note the illustrations for placement). The open portion of the hook will face downward from the horizontal wire on the screen as shown.

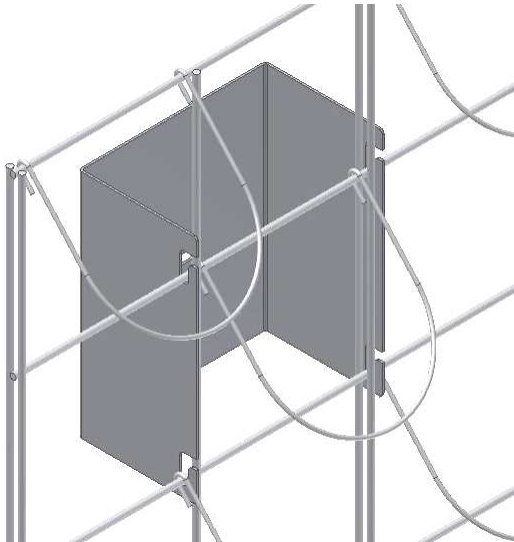


Fig. g) Hanger in Every Other Grid

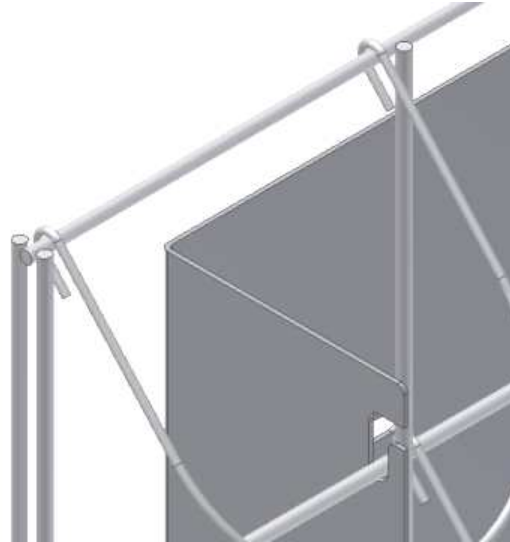


Fig. h) Stirrup Hooked on Screen

5) Install the grommet in the hole provided in the cache pot. Place a cache pot in each stirrup location.

6) Route the tube extending from 6-position bubbler to the appropriate cache pot and push end of tube through grommet into cache pot approx. 1 to 1 ½". The tube that goes to each cache pot depends on the location of the cache pot relative to the 6-position bubbler. The tubes are pre-cut to the appropriate lengths (TW4949 screen = 9", 16", 24", 32", 38", 46", and 54"; TW-7049 screen = 9", 16", 24", 32", 38", 46", 54", 62", 70", and 78").



Fig. i) Grommet into Cache Pot



Fig. j) Tube 1" – 1 ½" Extension

To identify which tube goes to which cache pot refer to the position of the bubbler as it is viewed from the back of the screen. Position #1 would be closest to the upper right corner and

position #5 would be closest to the upper left corner. Each row further from the bubbler requires a longer tube. Following are tables to demonstrate the correct location for each length of tube.

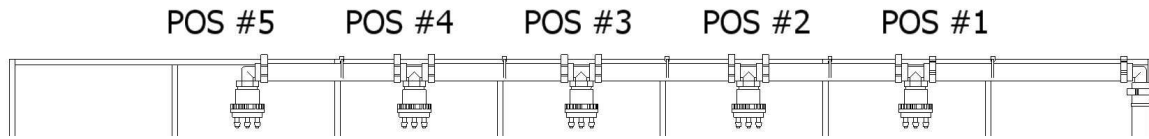


Fig. l) TW-4949 Bubbler Position as Viewed From Rear

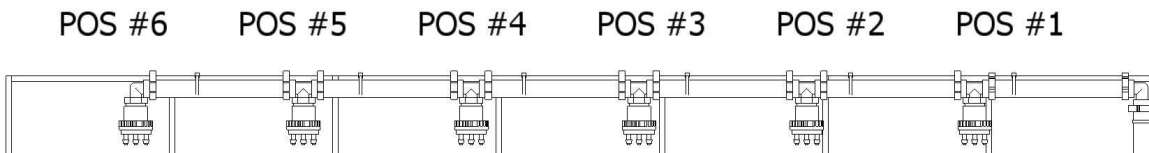


Fig. m) TW-7049 Bubbler Position as Viewed From Rear

TW-4949 Screen Tube Length/Position Table

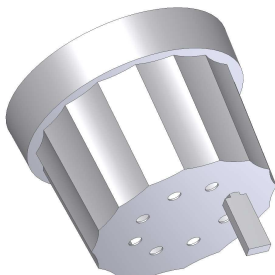
	COL. 7	COL. 6	COL. 5	COL. 4	COL. 3	COL. 2	COL. 1
ROW 1	9" @ P5		9" @ P4		9" @ P2		9" @ P1
ROW 2		16" @ P4		16" @ P3		16" @ P2	
ROW 3	24" @ P5		24" @ P3		24" @ P3		24" @ P1
ROW 4		32" @ P4		32" @ P3		32" @ P2	
ROW 5	38" @ P5		38" @ P4		38" @ P2		38" @ P1
ROW 6		46" @ P5		46" @ P3		46" @ P1	
ROW 7	54" @ P5		54" @ P4		54" @ P2		54" @ P1

Note: P1 = Bubbler Position #1, P2 = Bubbler Position #2, etc.

TW-7049 Screen Tube Length/Position Table

	COL. 7	COL. 6	COL. 5	COL. 4	COL. 3	COL. 2	COL. 1
ROW 1	9" @ P6		9" @ P4		9" @ P2		9" @ P1
ROW 2		16" @ P5		16" @ P3		16" @ P2	
ROW 3	24" @ P6		24" @ P4		24" @ P3		24" @ P1
ROW 4		32" @ P5		32" @ P3		32" @ P2	
ROW 5	38" @ P6		38" @ P4		38" @ P3		38" @ P1
ROW 6		46" @ P5		46" @ P4		46" @ P2	
ROW 7	54" @ P6		54" @ P4		54" @ P3		54" @ P1
ROW 8		62" @ P5		62" @ P4		62" @ P2	
ROW 9	70" @ P6		70" @ P5		70" @ P2		70" @ P1
ROW 10		78" @ P5		78" @ P3		78" @ P1	

Note: P1 = Bubbler Position #1, P2 = Bubbler Position #2, etc.



7) Insert the wick (provided) into the cache grow pot. Place the grow pot into the cache pot with the wick positioned toward the front. This will improve the water pickup for the plant.

Fig. p) Wick Placed in Grow Pot

Tournesol Siteworks, LLC
Complete Landscape Solutions for the Urban Environment
 30955 San Antonio St., Hayward, CA 94554
 ph: 800.542.2282 f: 510.471.6243
 www.tournesolsiteworks.com
 48-00023-10, Rev. A